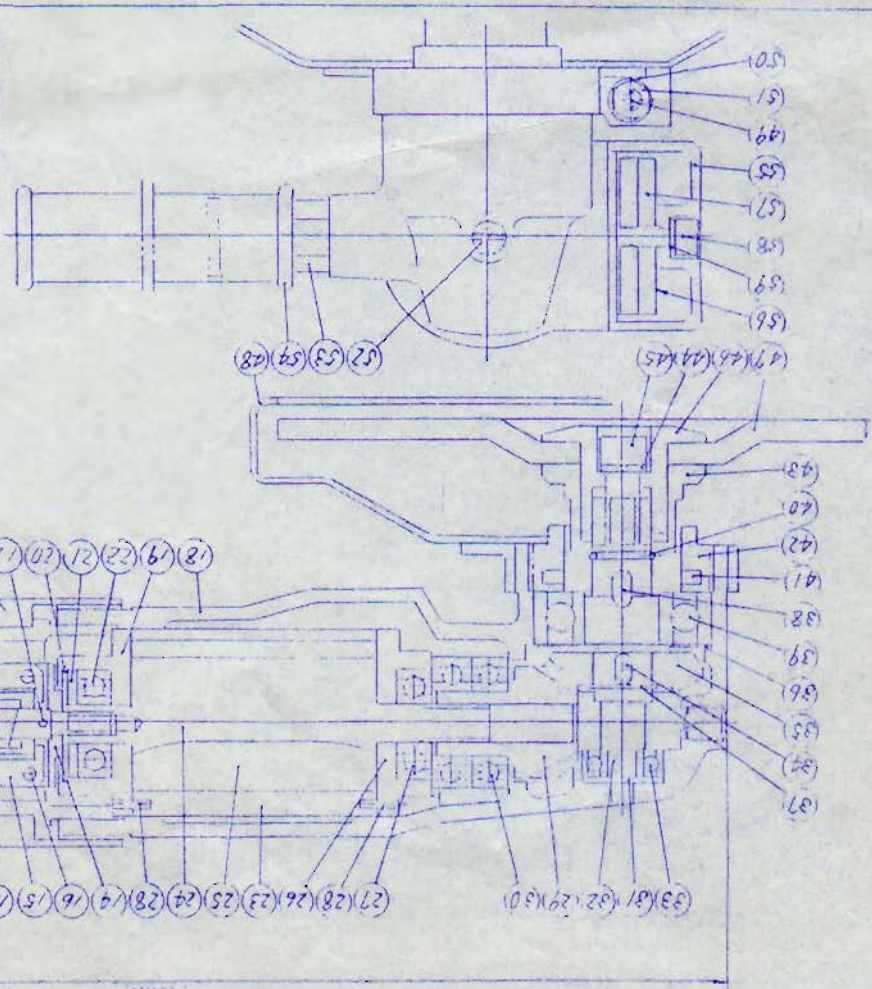
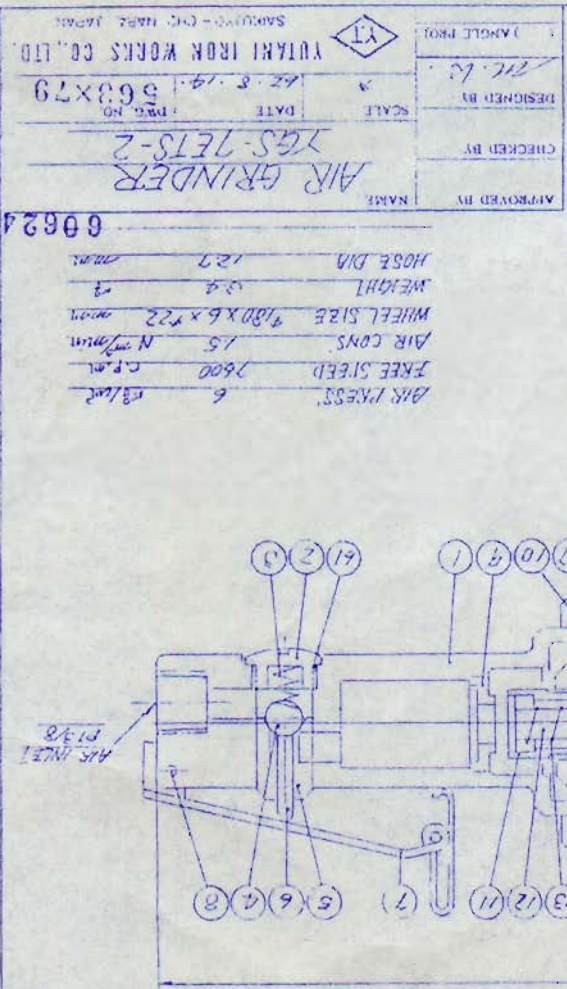


AIR GRINDER YGS-7ETS-2

No. PARTS No.	NAME OF PARTS	REQ'D REMARK No.	PARTS No.	NAME OF PARTS	REQ'D. REMARK No.
1	563315 Head	1	36	563189 Space Washer	1
2	11605 Throttle Valve Cap	1	37	DS-16 Drive Shaft Ring	1
3	553394 Throttle Spring	1	38	K556 Flange Key	1
4	EB 3/8 Throttle Valve	1	39	6204 Drive Gear Bearing	1
5	553392 Throttle Valve Bush	1	40	OP-15 Flange Ring	1
6	NR400238 Throttle Rod	1	41	P1193 Oil Packing	1
7	553393 Throttle Lever	1	42	563139 Drive Shaft Nut	1
8	SPW03020 Throttle Lever Pin	1	43	563155 Top Flange	1
9	563162 Governor Valve Sheet	1	44	MS 3/8 Spring Washer	1
10	56237C Cylinder Case Cap	1	45	563213 Flange Bolt	1
11	56394B Governor Valve	1	46	563214B Bottom Flange	1
12	56390C Governor Shaft	1	47	556152 Wheel	1
13	563145 Governor Spring	1	48	563278 Wheel Cover	1
14	56392 Governor Base	1	49	B800620 Cover Bolt	1
15	563930 Governor Runner	2	50	MS060 Spring Washer	1
16	NR350158 Governor Runner Pin	2	51	M81106 Nut	1
17	NR300058 Governor Shaft Pin	1	52	PT 1/8 Oil Plug	1
18	563314 Cylinder Case	1	53	56378 Bead Handle	1
19	563129 Top Bearing Case	1	54	OGK 5/6/27 Bead Handle Cover	1
20	SH35 Bearing Cap Ring	1	55	563193 Exhaust Cover	1
21	563100B Bearing Cover	1	56	563190 Net	2
22	6300Z Top Rotor Bearing	1	57	563191 Felt	2
23	563114B Cylinder	1	58	B760622 Cover Bolt	1
24	563128 Rotor	1	59	MS060 Spring Washer	1
25	563132 Rotor Vane	4	60	W1/2 x 1D W1/2 Heli Sert	1
26	563130 Bottom Bearing Case	1	61	OR-7 Throttle Cap Ring	1
27	6200 Bottom Rotor Bearing	1	62	H2037 Hose Nipple	1
28	SPW03008 Knock Pin	2			
29	6003 Bevel Gear Bearing	2			
30	56389 Bevel Gear	1			
31	56373 Bearing Plate	1			
32	563212 Drive Shaft	1			
33	508 Drive Shaft Bearing	1			
34	K555 Drive Gear Key	1			
35	563188 Drive Gear	1			



APPROVED BY: *[Signature]*
 CHECKED BY: *[Signature]*
 DESIGNED BY: *[Signature]*
 SCALE: 1:1
 DATE: 12.8.14
 YGS-7ETS-2
 AIR GRINDER
 60624

APR PRESS 6
 FREE SPEED 2600 RPM
 AIR CONS 1.5 m³/min
 WHEEL SIZE 780 x 6 x 22 mm
 WEIGHT 3.4 kg
 HOSE DIA 12.7 mm

YUTAKI IRON WORKS CO. LTD.
 SAKURAI-CHO NAGAI, JAPAN