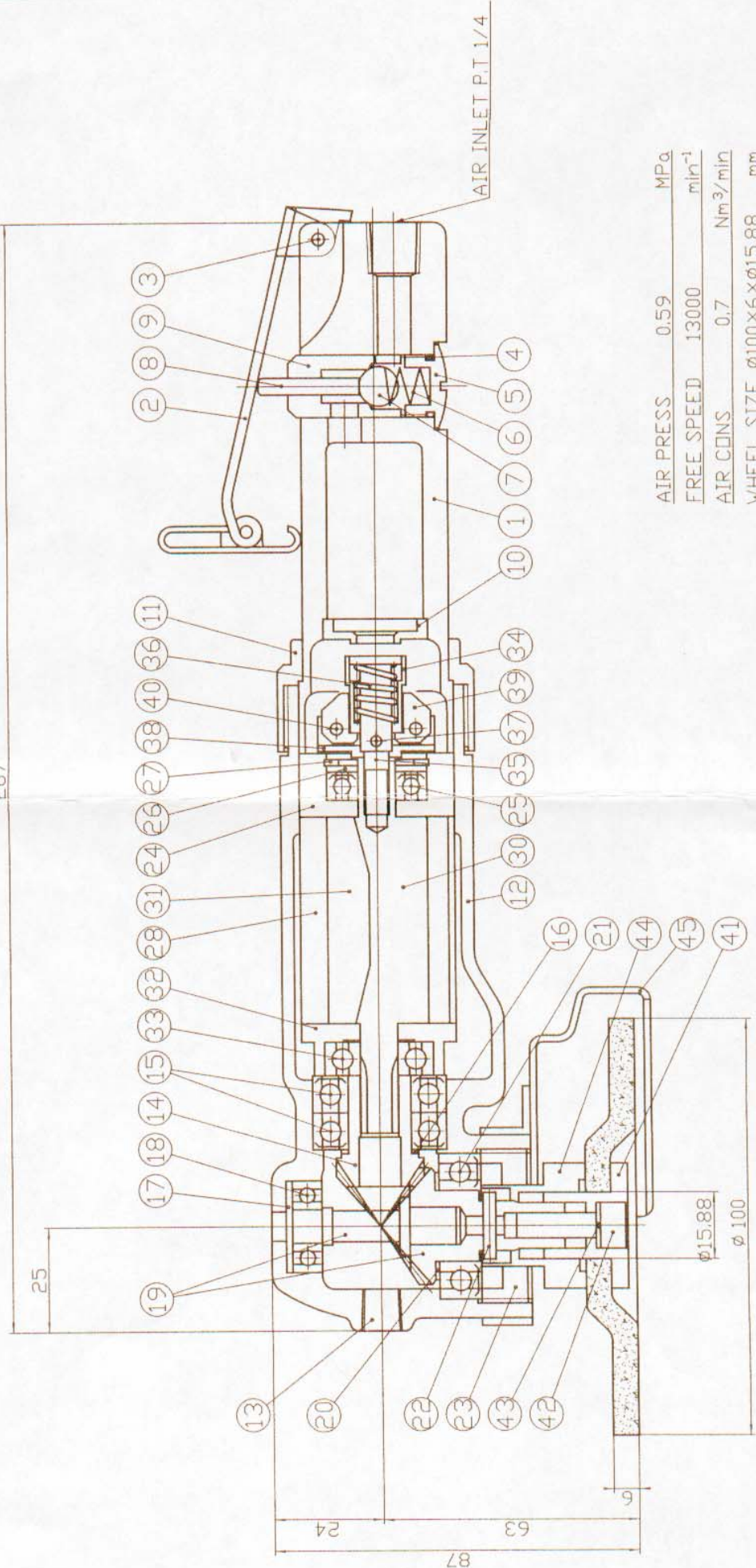


REV	DATE	DESCRIPTION	APPROVED
A			
A			

267



AIR PRESS	0.59	MPa
FREE SPEED	13000	min ⁻¹
AIR CONS	0.7	Nm ³ /min
WHEEL SIZE	φ100x6xφ15.88	mm
MASS	1.8	Kg
AIR HOSE I.D.	9.5	mm

MACHINE NAME	YGS-4GTS-2	DRAWN BY	宝田	DATE	'97. 7. 6.	DWG. No.	548X45
QUANTITY	1 / 1	CHECKED BY					
SCALE		UNIT WEIGHT	kgf				



PRODUCT GROUP : AIR GRINDER
 MODEL : YGS-4GTS-2

 60-460
 イチ フランジ

DWG No. 548 X45

No.	PARTS No.	NAME OF PARTS	Q'ty	REMARK	No.	PARTS No.	NAME OF PARTS	Q'ty	REMARK
1	553391	HEAD	1						
2	553393	THROTTLE LEVER	1						
3	SPW03020012	SPRING PIN	1	3X20					
4	OR007000012	O RING	1	R-7					
5	11605	THROTTLE CAP	1						
6	553394	THROTTLE SPRING	1						
7	EB3/8000012	URETHAN BALL	1	EB3/8					
8	NR400238012	NEEDLE ROLLER	1	4X23.8					
9	553392	THROTTLE VALVE BUSH	1						
10	553194B	GOVERNOR SHEET	1						
11	553191	CYLINDER CASE CAP	1						
12	553303D	CYLINDER CASE	1						
13	0CD1/8PT012	GM PLUG	1	PT1/8					
14	55388B	BEVEL GEAR	1						
15	60020000012	BEARING	2	#6002					
16	553415	BEVEL GEAR WASHER	1						
17	554116B	BEARING PLATE	1						
18	60800000012	BEARING	1	#608					
19	553298B	DRIVE SHAFT	1						
20	556101	SPACE WASHER	1						
21	60030000012	BEARING	1	#6003					
22	SPW03016012	SPRING PIN	1	3X16					
23	55392	BEARING CAP	1						
24	553243B	TOP BEARING CASE	1						
25	60920000012	BEARING	1	#6092					
26	553179	BEARING COVER	1						
27	SR240000012	STOP RING (R-TYPE)	1	SR-24					
28	553413	CYLINDER	1						
29	SPW03008012	SPRING PIN	2	3X8					
30	553239	ROTOR	1						
31	55386	ROTOR VANE	4						
32	553414	BOTTOM BEARING CASE	1						
33	62900000012	BEARING	1	#629					
34	553175C	GOVERNOR VALVE	1						
35	553177F	GOVERNOR SHAFT	1						
36	553237	GOVERNOR SPRING	1						
37	NR250058012	NEEDLE ROLLER	1	2.5X5.8					
38	553181	GOVERNOR BASE	1						
39	553263	GOVERNOR RUNNER	2						
40	NR300108012	NEEDLE ROLLER	2	3X10.8					
41	553403	BOTTOM FLANGE	1						
42	553259	FLANGE BOLT	1						
43	WSS06000012	SPRING WASHER	1	M6					
44	553402	TOP FLANGE	1						
45	553226	WHEEL COVER	1						
46	B8005160012	HEXAGON BOLT	2	M5X16					
47	WS050000012	SPRING WASHER	2	M5					
48	N8110500012	NUT	2	M5					
49	A1302	COVER SEAL	1						