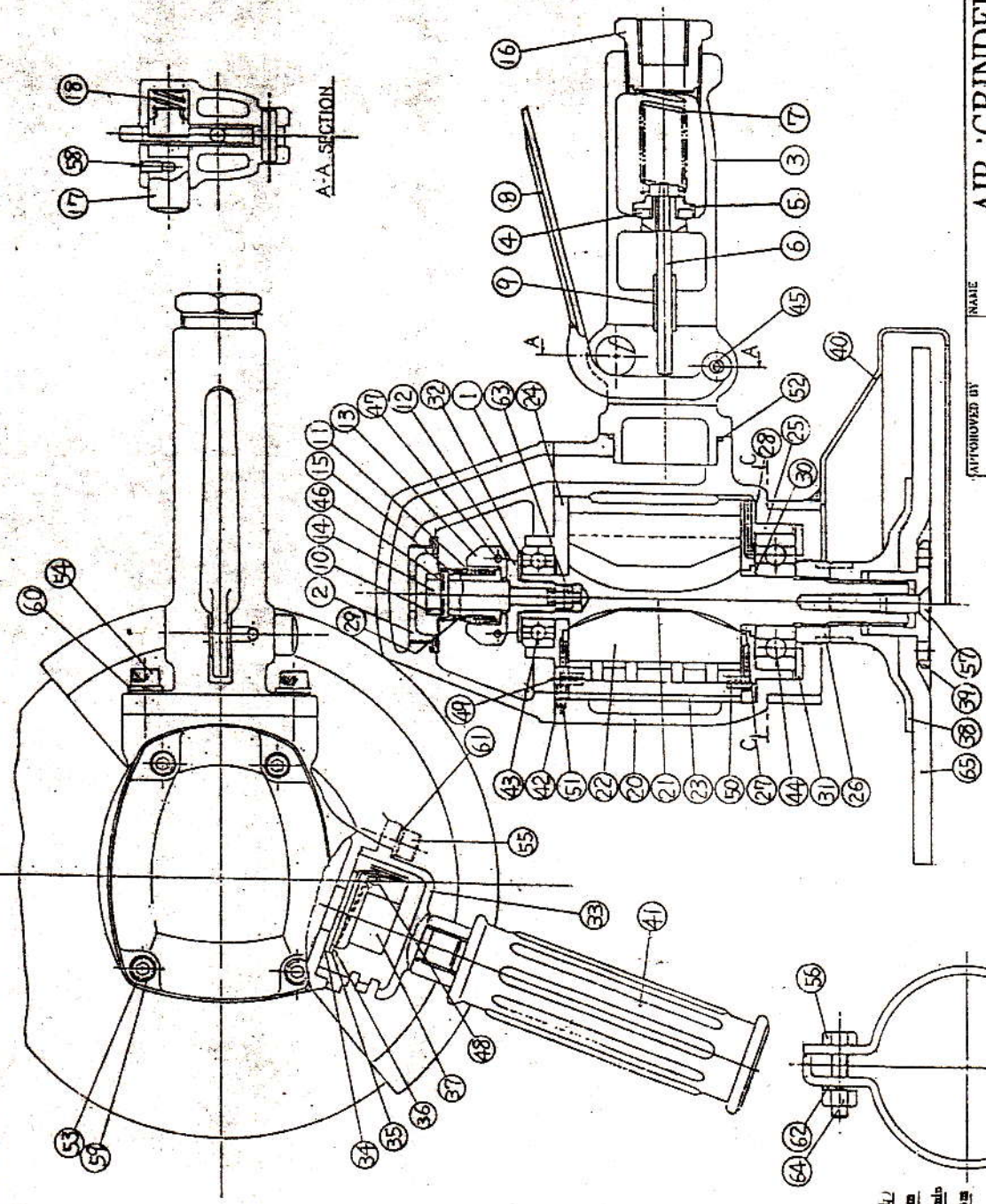


91x19c



FREE SPEED	7000	r.p.m.
AIR CONS	1.6	cu/mb
WHEEL SIZE	100x6x22.2	mm
AIR INLET	NPT. 3/8	
WEIGHT	2.7	lb
	1.27	kg

C-C SECTION

APPROVED BY _____
 CHECKED BY _____
 DESIGNED BY *K. Hongo*
 (1) (ANGI E. MINO)

NAME **AIR GRINDER**
 YGS-180-F

DATE *9.12.30*
 DWG. NO. **564X16**

YUTANI IRON WORKS CO., LTD.
 SAIKUYO-CHO, NARA, JAPAN.

91x799

AIR GRAINDER YGS-180-F

DRIV. NO.	PARTS NO.	NAME OF PART	QTY	DRIV. NO.	PARTS NO.	NAME OF PART	QTY
1	OEM09410112	HAUSING COVER	1	33	OEM09425012	EXHAUST COVER	1
2	OEM07810412	BUSHING	1	34	OEM09425112	EXHAUST VALVE	1
3	OEM09410812	THROTTLE VALVE BODY	1	35	OEM09428912	MUFFLER PLATE	1
4	OEM07811012	THROTTLE VALVE	1	36	OEM09429012	MUFFLER SPRING	1
5	OEM07811112	THROTTLE VALVE WASHER	1	37	OEM09429212	MUFFLER PLATE HOLDER	1
6	OEM07811312	THROTTLE VALVE ROD	1	38	OEM04130312	WHEEL FLANGE (A)	1
7	OEM07811712	THROTTLE VALVE SPRING	1	39	OEM10030412	WHEEL FLANGE (B)	1
8	OEM07812112	THROTTLE VALVE LEVER	1	40	OEM09433512	WHEEL GUARD	1
9	OEM07812912	THROTTLE VALVE ROD BUSHING	1	41	OEM02560412	DEAD HANDLE	1
10	OEM07714512	GAVERNOR VALVE	1	42	OEM09462112	PACKING (A)	1
11	OEM09414912	GAVERNOR VALVE SPRING	1	43	6202000012	BEARING	1
12	OEM10915112	GOVERNOR CAGE	1	44	6303000012	BEARING	1
13	OEM08815212	GOVERNOR WEIGHT	2	45	SPW05020012	SPRING PIN	1
14	OEM10915412	GOVERNOR SHAFT	1	46	NR250160012	NEEDLE ROLLER	1
15	OEM06915512	GOVERNOR VALVE SPRING HOLDER	1	47	NR250240012	NEEDLE ROLLER	2
16	OEM6N3NS012	INLET BUSHING (NPT)	1	48	SPW03025012	SPRING PIN	1
17	OEM07818312	SAFETY LOCK	1	49	SPW04008012	SPRING PIN	1
18	OEM07818412	SAFETY LOCK SPRING	1	50	SPW04008012	SPRING PIN	1
19	OEM08019512	SUB THROTTLE VALVE	1	51	SPW03008012	SPRING PIN	1
20	OEM09420112	HOUSING	1	52	0S034000012	"O" RING	1
21	OEM09420712	ROTOR	1	53	B7605200012	CAP SCREW	4
22	OEM09420812	ROTOR BLADE	4	54	B7606200012	CAP SCREW	2
23	OEM09420912	CYLINDER	1	55	B7606180012	CAP SCREW	2
24	OEM09421012	CYLINDER UPPER PLATE	1	56	B1306250012	BOLT	1
25	OEM09421112	CYLINDER LOWER PLATE	1	57	M6x35	FLAT HEAD CAP SCREW	1
26	OEM09421212	ROTOR NUT	1	58	B7704008B12	SET SCREW	1
27	OEM09421312	ADJUSTING COLLAR	1	59	WSS05000012	SPRING WASHER	4
28	OEM09421412	ADJUSTING WASHER (SHIN) (0.20)	(1)	60	WSS06000012	SPRING WASHER	2
	OEM09421412	ADJUSTING WASHER (SHIN) (0.25)	(1)	61	WSS06000012	SPRING WASHER	2
	OEM09421412	ADJUSTING WASHER (SHIN) (0.30)	(1)	62	WSS06000012	SPRING WASHER	1
29	OEM06921412	ADJUSTING WASHER (SHIN) (0.20)	(1)	63	N1310400012	NUT	2
	OEM06921412	ADJUSTING WASHER (SHIN) (0.30)	(1)	64	N1310600012	NUT	1
	OEM06921412	ADJUSTING WASHER (SHIN) (0.50)	(1)	65	—————	WHEEL	
30	OEM09421512	ADJUSTING WASHER (P) (SHIN) (0.03)	(1)	66	OEM00056412	NAME PLATE	1
31	OEM09422912	BEARING SPACER	1	67	BYND0003212	SCREW RIVET	4
32	OEM10923812	BEARING COVER (B)	1				

YUTANI IRON WORKS CO., LTD

564x16