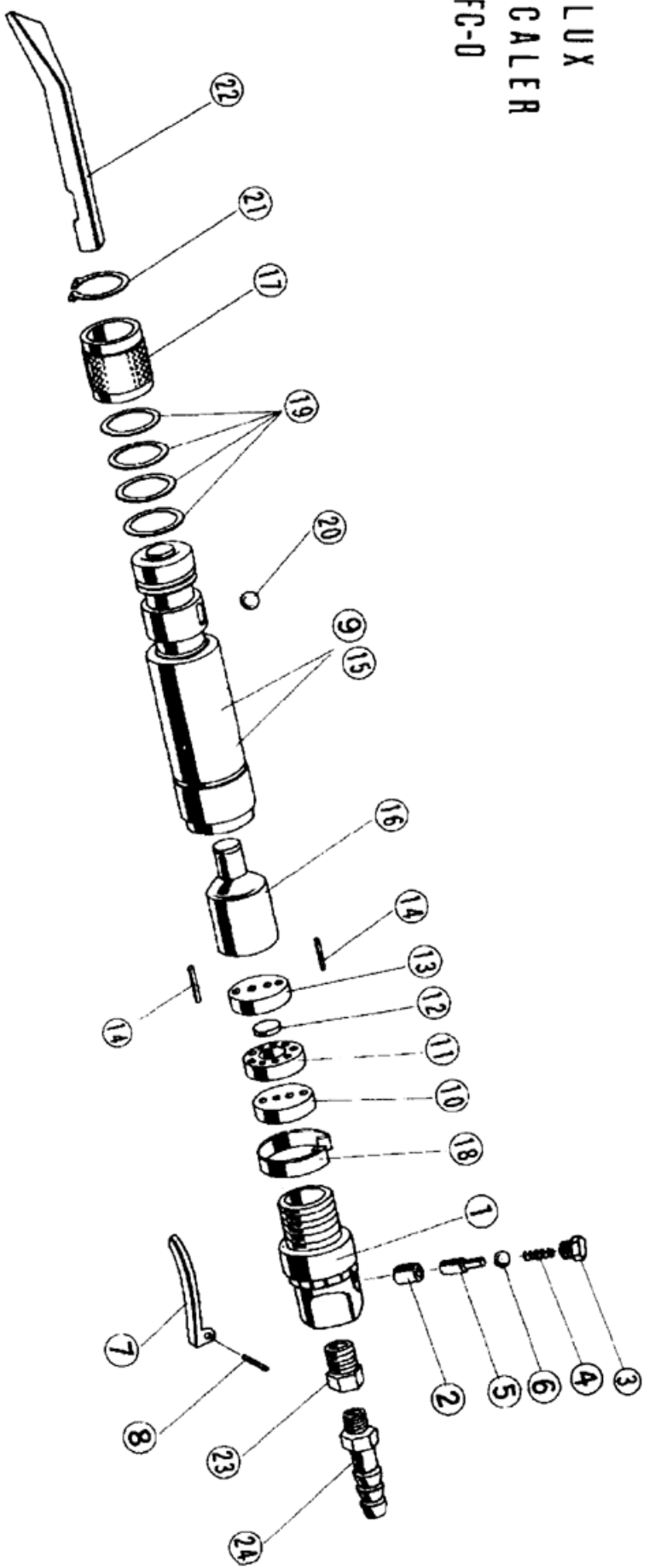


FLUX SCALER YFC-0



NO.	PARTS NO.	NAME OF PARTS	REQ'D NO.	REMARK	NO.	PARTS NO.	NAME OF PARTS	REQ'D NO.	REMARK
1	84523	HEAD	1		13	84533	BOTTOM MAIN VALVE CAP	1	
2	84524	THROTTLE VALVE BUSHING	1		14	KPQ30008	KNOCK PIN	2	
3	84525	THROTTLE VALVE CAP	1		15	84534	CYLINDER BUSHING	1	
4	84526	THROTTLE VALVE SPRING	1		16	84535	PISTON	1	
5	84527	THROTTLE VALVE ROD	1		17	84536	LOCK RING COLLAR	1	
6	SB-X	THROTTLE VALVE	1	SB-X	18	84537	CYLINDER CLIP	1	
7	84528	THROTTLE LEVER	1		19	OP-24	CYLINDER RING	4	2 OF RING P-24
8	SPW03018	THROTTLE LEVER PIN	1		20	SB-X	CHISEL BALL	1	SB-X
9	84529	CYLINDER	1		21	SS-30	STOP RING	1	SS-30
10	84530	TOP MAIN VALVE CAP	1		22	84538	CHISEL	1	
11	84531	MAIN VALVE PLATE	1		23	H1012	HOSE STUD	1	
12	84532	MAIN VALVE	1		24	H2002	HOSE STEM	1	