

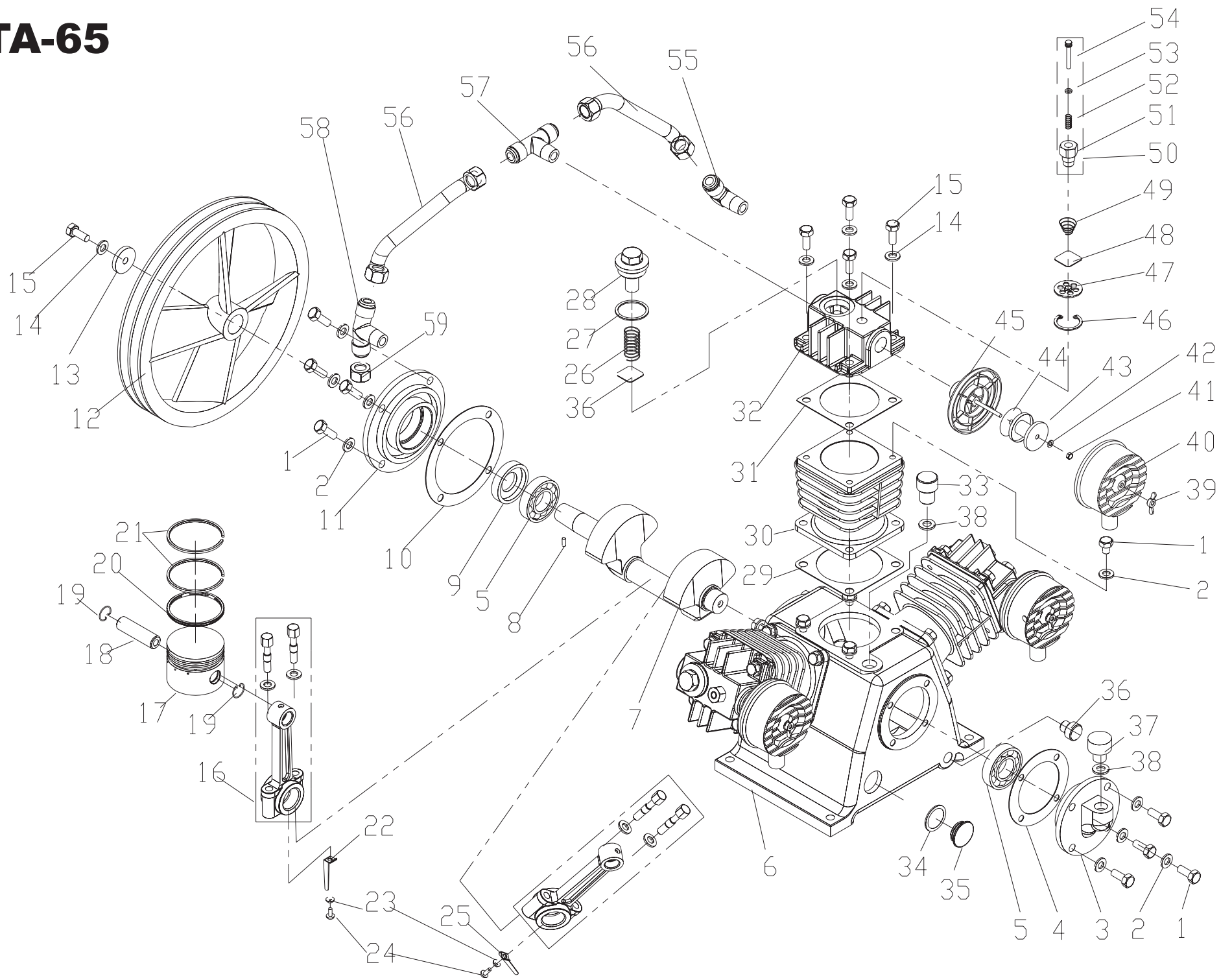
5750 DONAHUE STREET, MONTREAL, QUEBEC. H4S 1C1
TEL.: 514-336-3820, 800-390-0140 FAX: 514-745-1764
www.airtekltd.com E-MAIL info@airtekltd.com

Fu Sheng

TA-65 Pump



TA-65



ITEM	DESCRIPTION	QTY	PART NO.
1	BOLT	20	-
2	WASHER	20	92521-190800
3	REAR BEARING COVER	1	70122-57060
4	REAR BEARING COVER PACKING	1	70122-57960
5	BEARING	2	93501-6205
6	CRANKCASE	1	70132-57010
7	CRANKSHAFT	1	70132-56010
8	COMPRESSOR PULLEY PIN	1	70112-56060
9	FRONT OIL SEAL	1	70122-57080
10	FRONT BEARING COVER PACKING	1	70122-57950
11	FRONT BEARING COVER	1	70122-57030
12	PULLEY	1	70132-76010
13	PULLEY WASHER	1	70112-76210
14	SPRING WASHER	13	92522-130800
15	BOLT	13	91501-1308025-8.8
16	CONNECTING ROD ASSEMBLY	3	70112-61200
17	PISTON	3	70110F81-61012
18	PISTON PIN	3	70112-61120
19	PISTON PIN LOCKING RING	6	70112-61070
20	OIL CONTROL RING	3	70110F81-61051
21	COMPRESSION RING	6	70110F81-61031
22	OIL SPLASH DIPPER	2	70122-61282
23	SPRING WASHER	3	92522-130400
24	BOLT	3	-
25	OIL SPLASH DIPPER	1	70132-61290
26	OUTLET VALVE SPRING	3	70112-41070
27	OUTLET VALVE PUSH COVER PACKING	3	70112-11461
28	OUTLET VALVE PUSH COVER	3	70112-11450
29	CYLINDER CRANKCASE PACKING	3	70112-51610
30	CYLINDER	3	70112-51010
31	CYLINDER HEAD PACKING	3	70112-11612
32	CYLINDER HEAD	3	70112-11010
33	OIL CAP	1	70101-57190
34	O-RING	1	93602-8126026
35	GAUGE SET	1	-
36	SCREW PLUG	1	90112-100202A
37	AIR BREATHER ASS'Y	1	70103-57600
38	RING	1	93601-810016
39	AEROFOIL NUT	3	-
40	AIR FILTER FRONT COVER	3	70111-66171
41	NUT	3	92501-230400
42	WASHER	6	92521-230400
43	AIR FILTER CORE	3	-
44	GASKET	3	-
45	AIR FILTER BACK COVER	3	-
46	LOCK RING	3	93610-130232
47	INLET VALVE RECEIVER	3	70112-31020
48	INLET VALVE PLATE	3	70112-31030
49	INLET VALVE SPRING	3	70112-31070
50	AUTO UNLOADING ASS'Y	3	70112-11201
51	UNLOADING CYLINDER	3	70112-11210
52	SPRING	3	70112-11230
53	RING	3	93601-810004
54	UNLOADING PISTON	3	70112-11221
55	PIPE JOINT #A	1	70120FA1-87011
56	OUTLET PIPE	2	70132-87100
57	PIPE JOINT #B	1	70130FA1-87021
58	PIPE JOINT #C	1	70130FA1-87031
59	NUT	1	79922-130404