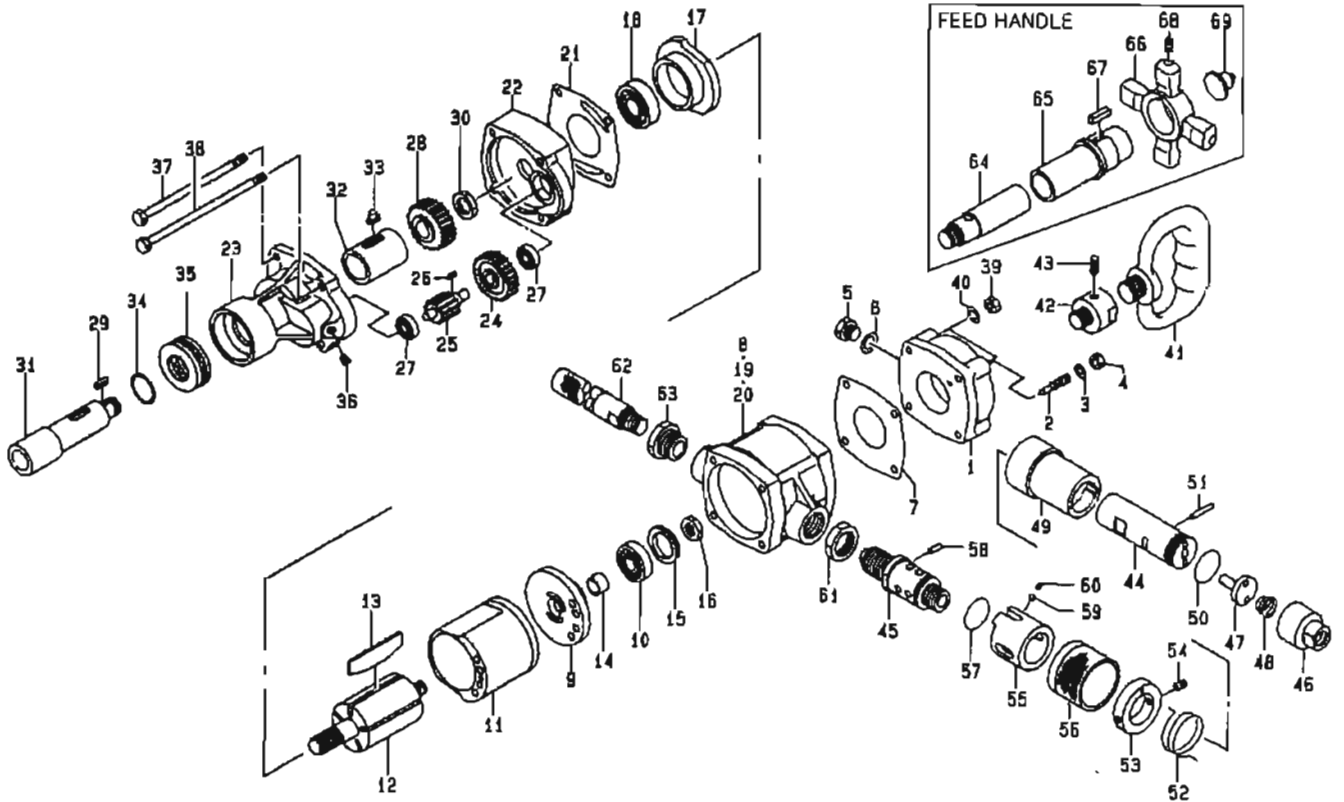


AIR DRILL

RD-16RLR, -19RLR, -23RLR



No.	Parts No.	Name of Parts	Q'ty	Remark	No.	Parts No.	Name of Parts	Q'ty	Remark
1	30301	HEAD	1		40	WS060	SPRING WASHER	4	
2	NV035	NEEDLE VALVE	1		41	30397	GRIP HANDLE	1	
3	P1008	NEEDLE VALVE PACKING	1		42	30357	GRIP HANDLE STUD	1	
4	N81105B	NEEDLE VALVE NUT	1		43	B760610	SET SCREW	2	
5	OCA1/4PS	OIL CAP	1		44	30390B	AIR HANDLE STEM A	1	
6	P1006	OIL CAP PACKING	1		45	30391	AIR HANDLE STEM B	1	
7	30422	TOP SHEET PACKING	1		46	563124	THROTTLE CAP	1	
8	30358	CYLINDER CASE	1		47	556274	THROTTLE VALVE	1	
9	606117	TOP BEARING CASE	1		48	55667	THROTTLE SPRING	1	
10	6201	TOP ROTOR BEARING	1		49	30392B	THROTTLE HANDLE	1	
11	303103	CYLINDER	1		50	OS-28	O-RING	1	
12	30369	ROTOR	1		51	NR400338	THROTTLE VALVE PIN	1	
13	515115	ROTOR VANE	5		52	30393	RETURN SPRING	1	
14	11823	ADJUST COLLAR	1		53	30394	RETURN SPRING	1	
15	11517	BEARING NUT	1		54	B770608D	SET SCREW	2	
16	30305	ROTOR NUT	1		55	30395	REVERSE VALVE BUSH	1	
17	30368	BOTTOM BEARING CASE	1		56	30396	BUSH SLEEVE	1	
18	6203	BOTTOM ROTOR BEARING	1		57	OS-26	O-RING	1	
19	SPW05012	KNOCK PIN	2		58	SPW03008	STOP PIN	1	
20	SPW03008	KNOCK PIN	1		59	SB-3	STOP BALL	1	
21	30370	BOTTOM SHEET PACKING	1		60	11209	STOP BALL SPRING	1	
22	30316	GEAR CASE JOINT	1		61	30347	AIR HANDLE STEM NUT	1	
23	30317	GEAR CASE	1		62	12137B	DEAD HANDLE	1	
24	30318B	REDUCTION GEAR	1		63	H1034	DEAD HANDLE STUD	1	
25	30223	REDUCTION PINION	1		64	30336	FEED SCREW	1	
26	K03095A	REDUCTION GEAR KEY	1		65	30365	FEED SCREW SLEEVE	1	
27	627	REDUCTION GEAR BEARING	2		66	30338	FEED HANDLE	1	
28	30326	SOCKET GEAR	1		67	K05020A	FEED HANDLE KEY	1	
29	K04010A	SOCKET GEAR KEY	1		68	30340	FEED HANDLE SCREW	1	
30	30331	SOCKET GEAR NUT	1		69	30341	FEED CENTER	1	
31	30329	SOCKET	1						
32	30330	SOCKET BUSH	1						
33	30332	SOCKET BUSH KEY	1		25	30321	REDUCTION PINION	1	
34	30435	SOCKET SPACER	1		28	30327	SOCKET GEAR	1	
35	2905	THRUST BEARING	1						
36	OCD1/8PT	OIL PLUG	1						
37	30334	CYLINDER CASE BOLT A	2		12	30439	ROTOR	1	
38	30335B	CYLINDER CASE BOLT B	2		24	30360B	REDUCTION GEAR	1	
39	N81106	NUT	4		25	30321	REDUCTION PINION	1	
					28	30327	SOCKET GEAR	1	