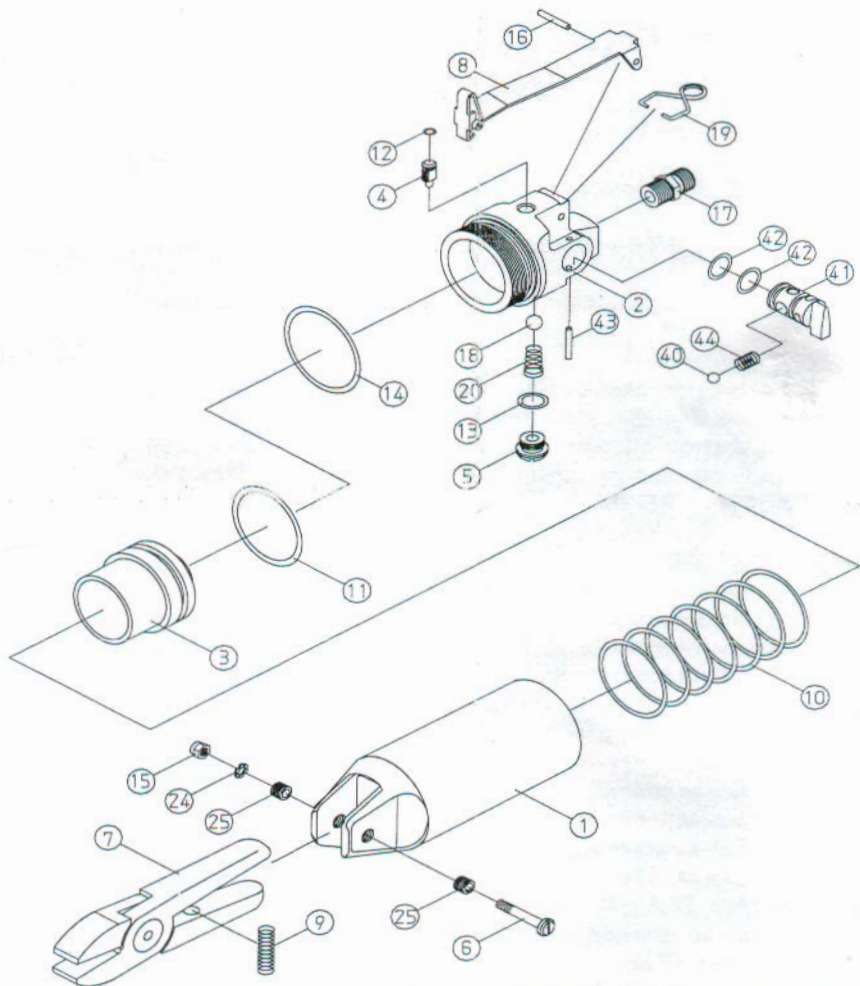


## DISASSEMBLY AND ASSEMBLY INSTRUCTION



### PARTS LIST

NO.	DESCRIPTION	NO.	DESCRIPTION	NO.	DESCRIPTION	NO.	DESCRIPTION
1	Body A	8	Lever	15	Nut	25	Bush
2	Body B	9	Spring	16	Spring Pin	40	Urethane Ball
3	Piston A	10	Spring	17	Air Nipple	41	Valve Switch
4	Valve Pin	11	O-Ring	18	Urethane Ball	42	O-Ring
5	Screw	12	O-Ring	19	Hanger	43	Spring Pin
6	Screw Pin	13	O-Ring	20	Spring	44	Spring
7	Blades	14	O-Ring	24	Washer		