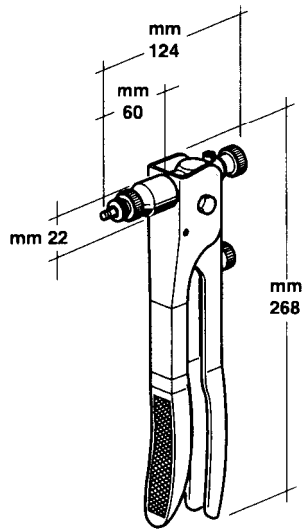




5750 DONAHUE STREET, MONTREAL, QUEBEC. H4S 1C1  
 TEL.: 514-336-3820, 800-390-0140 FAX: 514-745-1764  
 www.airtekltd.com E-MAIL info@airtekltd.com

## KJ 17

No :	Part No:	Qty	Description	Description
1	721509	1	Principal lever	Levier principal
2	711510	1	Secondary lever	Levier secondaire
3	711512	1	Body	Corps
4	711513	1	Plug	Fiche
5	711514	1	Screw M7	Vis M7
6	721516	1	Tie rod M3	Tirant M3
7	721517	1	Tie rod M4	Tirant M4
8	721518	1	Tie rod M5	Tirant M5
9	721519	1	Tie rod M6	Tirant M6
10	710135	1	Spring	Ressort
11	710136	1	Threaded pin	Pivot fileté
12	710137	1	Screw	Vis
13	710144	1	Ring nut	Embout
14	710145	1	Head M3	Tête M3
15	710146	1	Head M4	Tête M4
16	710147	1	Head M5	Tête M5
17	710148	1	Head M6	Tête M6
18	710149	1	Knob	Bouton
19	710048	1	Nut M7 x 4	Écrou M7 x 4
20	711521	1	Spring pin 4 x 28	Goupille élastique 4 x 28
	721549	1	Tie rod 6-32	Tirant 6-32
	721550	1	Tie-rod 8-32	Tirant 8-32
	721551	1	Tie-rod 10-24	Tirant 10-24
	721552	1	Tie-rod 10-32	Tirant 10-32
	721553	1	Tie-rod 1/4-20	Tirant 1/4-20
	711555	1	Head 6-32	Tête 6-32
	711556	1	Head 8-32	Tête 8-32
	711557	1	Head 10-24 / 10-32	Tête 10-24 / 10-32
	711558	1	Head 1/4-20	Tête 1/4-20



WEIGHT  
POIDS } gr. 750

