

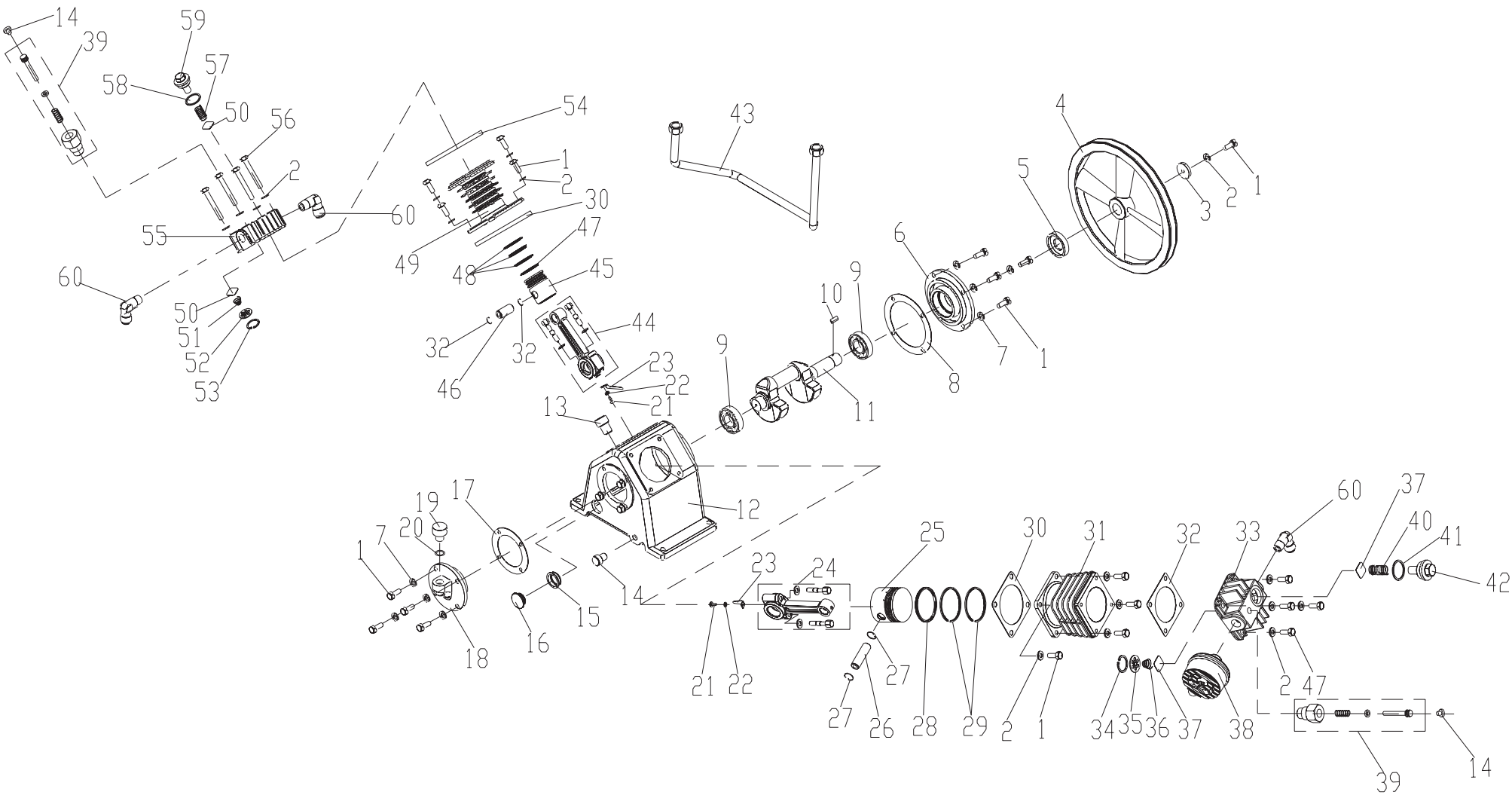
5750 DONAHUE STREET, MONTREAL, QUEBEC. H4S 1C1
TEL.: 514-336-3820, 800-390-0140 FAX: 514-745-1764
www.airtekltd.com E-MAIL info@airtekltd.com

Fu Sheng

HVA-65 Pump



HVA-65



ITEM	DESCRIPTION	QTY	PART NO.
1	BOLT	17	91501-1308025-8.8
2	SPRING WASHER	17	92522-130800
3	COMPRESSOR PULLEY WASHER	1	70112-76210
4	COMPRESSOR PULLEY	1	70122-76011
5	FRONT OIL SEAL	1	70122-57080
6	FRONT BEARING COVER	1	70122-57030
7	WASHER	24	92521-190800
8	FRONT BEARING COVER PACKING	1	70122-57040
9	BEARING	2	93501-6205
10	COMPRESSOR PULLEY PIN	1	70112-56060
11	CRANKSHAFT	1	70122-56010
12	CRANKCASE	1	70162-57010
13	OIL CAP	1	70101-57190
14	SCREW PLUG	3	90112-100202A
15	O-RING	1	93602-8126026
16	GAUGE SET	1	-
17	REAR BEARING COVER PACKING	1	70122-57960
18	REAR BEARING COVER	1	70122-57060
19	AIR STRAINER ASS'Y	1	70103-57600
20	RING	1	93601-810016
21	BOLT	2	-
22	SPRING WASHER	2	92522-130400
23	OIL SPLASH DIPPER	2	70122-61282
24	ONE STAGE CONNECTING ROD ASSEMBLY	1	70112-61200
25	ONE STAGE PISTON	1	70112-61012
26	ONE STAGE PISTON PIN	1	70112-61120
27	PISTON PIN LOCKING RING	4	70112-61070
28	OIL CONTROL RING	1	70112-61051
29	COMPRESSION RING	2	70112-61031
30	CYLINDER HEAD PACKING	2	70112-11610
31	ONE STAGE CYLINDER	1	70112-51010
32	ONE STAGE CYLINDER HEAD PACKING	1	70112-11612
33	ONE STAGE CYLINDER HEAD	1	70112-11010
34	LOCK RING	1	93610-130232
35	ONE STAGE INLET VALVE RECEIVER	1	70112-31020
36	ONE STAGE INLET VALVE SPRING	1	70112-31070
37	ONE STAGE INLET VALVE PLATE	1	70112-31030
38	AIR STRAINER SET	1	70111-66001
39	AUTO UNLOADING ASS'Y	2	70112-11201
40	ONE STAGE OUTLET VALVE SPRING	1	70112-41070
41	ONE STAGE OUTLET VALVE PUSH COVER PACKING	1	70112-11461
42	ONE STAGE OUTLET VALVE PUSH COVER	1	70112-11450
43	OUTLET PIPE	1	70162-87300
44	TOW STAGE CONNECTING ROD ASSEMBLY	1	-
45	TOW STAGE PISTON	1	70162-62010
46	TOW STAGE PISTON PIN	1	70162-62120
47	TOW STAGE OIL CONTROL RING	1	70162-62050
48	TOW STAGE COMPRESSION RING	3	70162-62030
49	TOW STAGE CYLINDER	1	70162-52010
50	TOW STAGE INLET VALVE PLATE	1	70162-32030
51	TOW STAGE INLET VALVE SPRING	1	70162-32070
52	TOW STAGE INLET VALVE RECEIVER	1	70162-32020
53	LOCK RING	1	93610-130222
54	TOW STAGE CYLINDER HEAD PACKING	1	70162-12610
55	TOW STAGE CYLINDER HEAD	1	70162-12010
56	BOLT	4	-
57	OUTLET VALVE SPRING	1	70162-42070
58	OUTLET VALVE PUSH COVER PACKING	1	70162-12460
59	OUTLET VALVE PUSH COVER	1	70162-12451
60	PIPE JOINT	3	70120FA1-87011