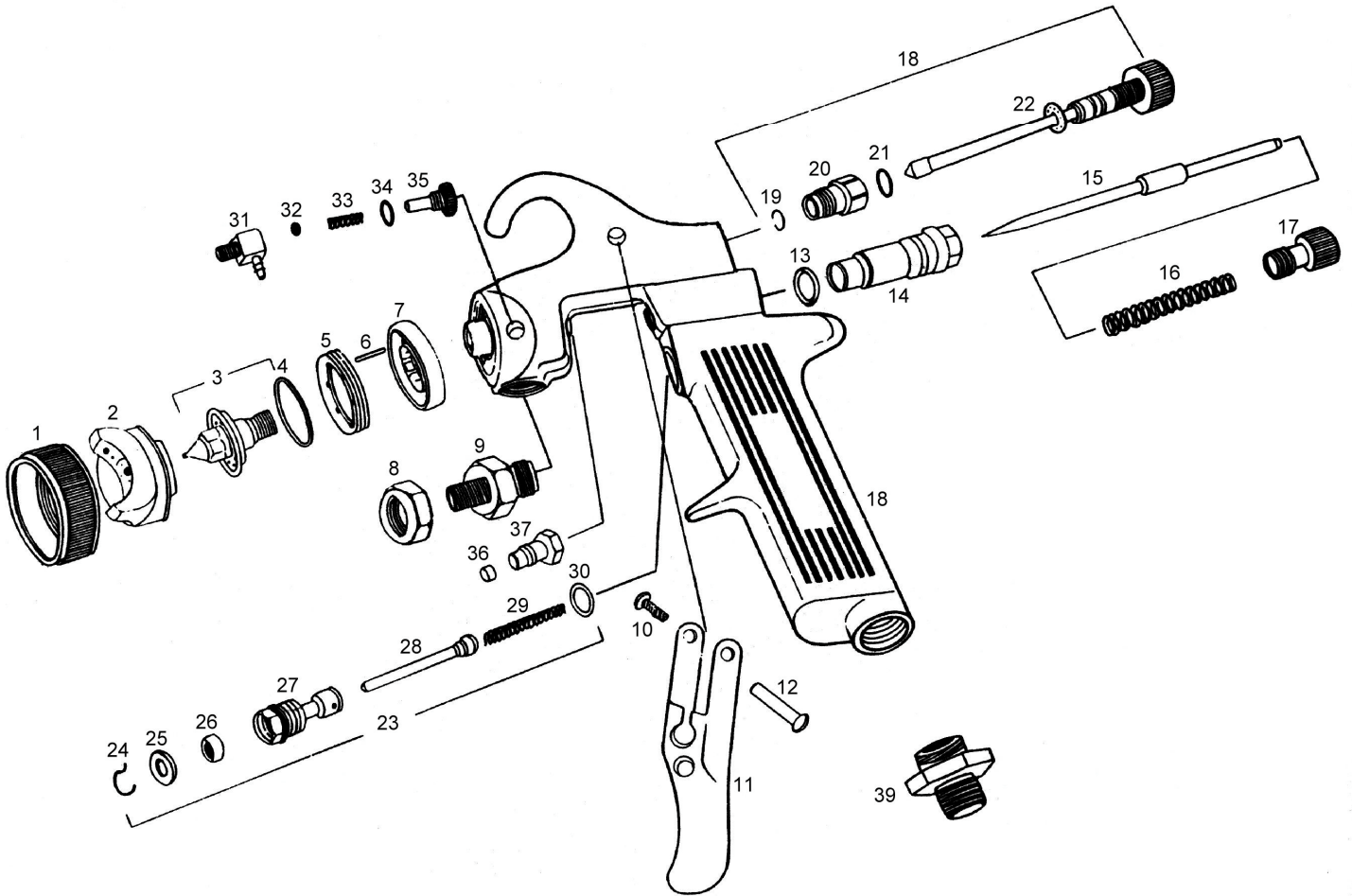




GISON Pneumatic Tools

GYD-410 H.V.L.P. Spray Gun



PARTS LIST

✳ : Consuming Part

No.	Part No.	Description	Qty.	No.	Part No.	Description	Qty.
01	410001	Retaining Ring	1	21	410021	O-Ring	1
02	410002	Air Cap	1	22	410022	Side Port Stem Assembly	1
03	410003	Fluid Nozzle and Gasket	1	23	410023	Air Valve Assembly	1
04	410004	Gasket	1	24	410024	Snap Ring	1
05	410005	Lock Screw	1	25	410025	Washer	1
06	410006	Dowel Pin	1	26	410026	"U" Cup Seal	1
07	410007	Baffle	1	27	410027	Air Valve Bushing	1
08	410008	Lock Nut	1	28	410028	Air Valve	1
09	410009	Fluid Connector	1	29	410029	Spring	1
10	410010	Screw	1	30	410030	Gasket	1
11	410011	Trigger	1	31	410031	Air Pressure Elbow	1
12	410012	Stud	1	32	410032	Steel Ball	1
13	410013	Gasket	1	33	410033	Spring	1
14	410014	Bushing	1	34	410034	O-Ring	1
15	410015	Fluid Needle	1	35	410035	Air Pressure Plug	1
16	410016	Spring	1	36	410036	Packing	2
17	410017	Adjusting Screw	1	37	410037	Packing Screw	1
18	410018	Side Port Control Assembly	1	38	410038	Gun Body	1
19	410019	Retaining Ring	1	39	410039	Nipple	1
20	410020	Bushing	1				