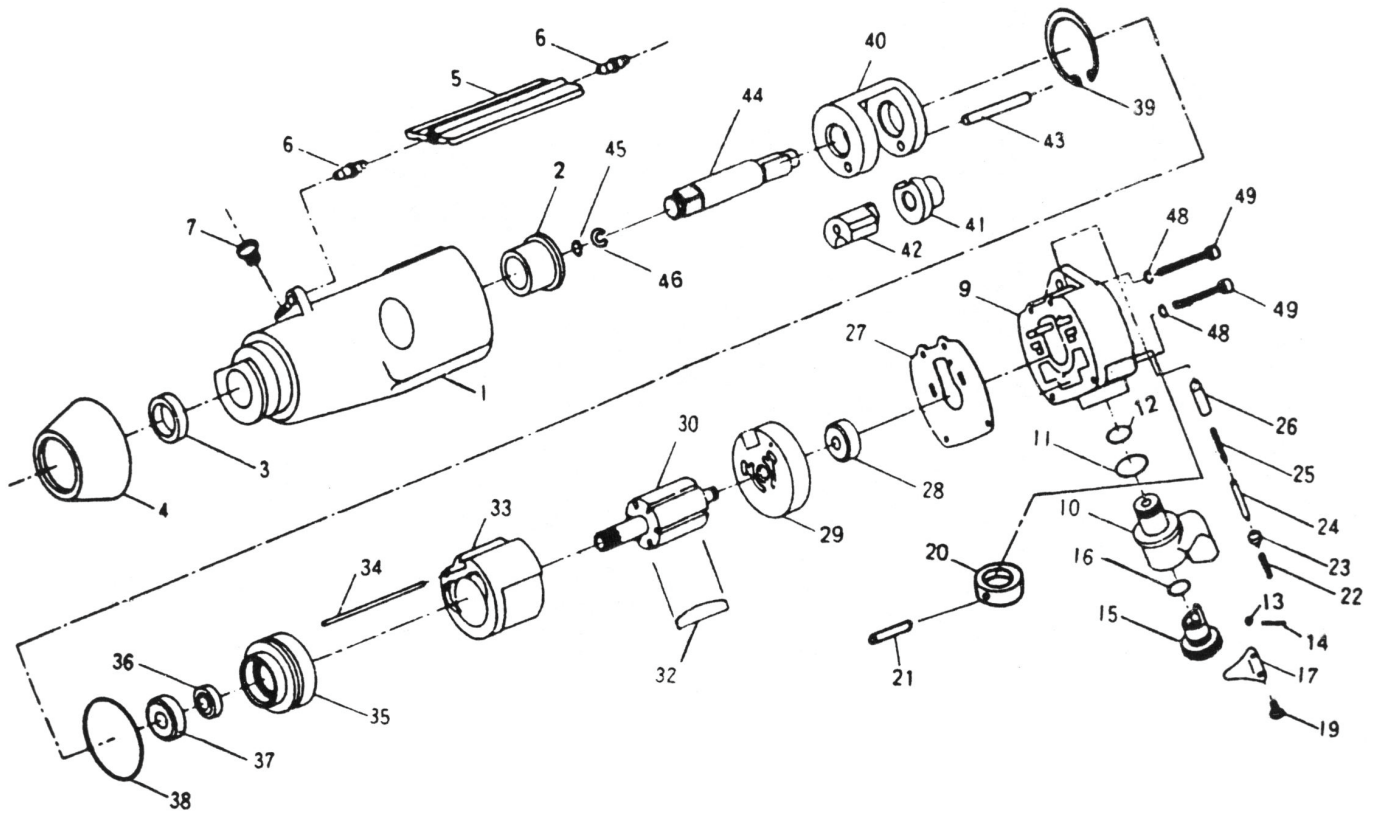




GISON Pneumatic Tools

GW-8 3/8" Butterfly Impact Wrench



PARTS LIST

✱ : Consuming Part

Item No.	Part No.	Description	Qty.	Item No.	Part No.	Description	Qty.
1	800001	Motor Housing	1	26	800026	Plunger	2
2	800002	Anvil Bushing	1	27	800027	Back Cap Gasket	1
3	800003	Oil Seal	1	28	800028	Ball Bearing	1
4	800004	Rubber Nose Guard	1	29	800029	Rear End Plate	1
5	800005	Throttle Lever	1	30	800030	Rotor	1
6	800006	Throttle Pin	2	✱ 32	800032	Rotor Blade	6
7	800007	Oiler Screw	1	33	800033	Cylinder	1
9	800009	Back Cap	1	34	800034	Motor Pin	1
10	800010	Air Inlet Block	1	35	800035	Front End Plate	1
11	800011	O-Ring	1	36	800036	Oil Seal	1
12	800012	O-Ring	1	37	800037	Ball Bearing	1
13	800013	Regulator Ball	1	38	800038	O-Ring	1
14	800014	Regulator Spring	1	39	800039	Snap Ring	1
15	800015	Regulator	1	40	800040	Hammer Cage	1
16	800016	O-Ring	1	41	800041	Cam	1
17	800017	Retainer Plate	1	42	800042	Hammer	1
19	800019	Screw	2	43	800043	Hammer Pin	1
20	800020	Fixing Ring	1	44	800044	Anvil	1
21	800021	Retainer Pin	1	45	800045	O-Ring	1
22	800022	Valve Spring	2	46	800046	Socket Ret Ring	1
23	800023	Valve Seat	2	48	800048	Lock Washer	4
24	800024	Valve	2	49	800049	Cap Screw-Long	4
25	800025	Plunger Spring	2				