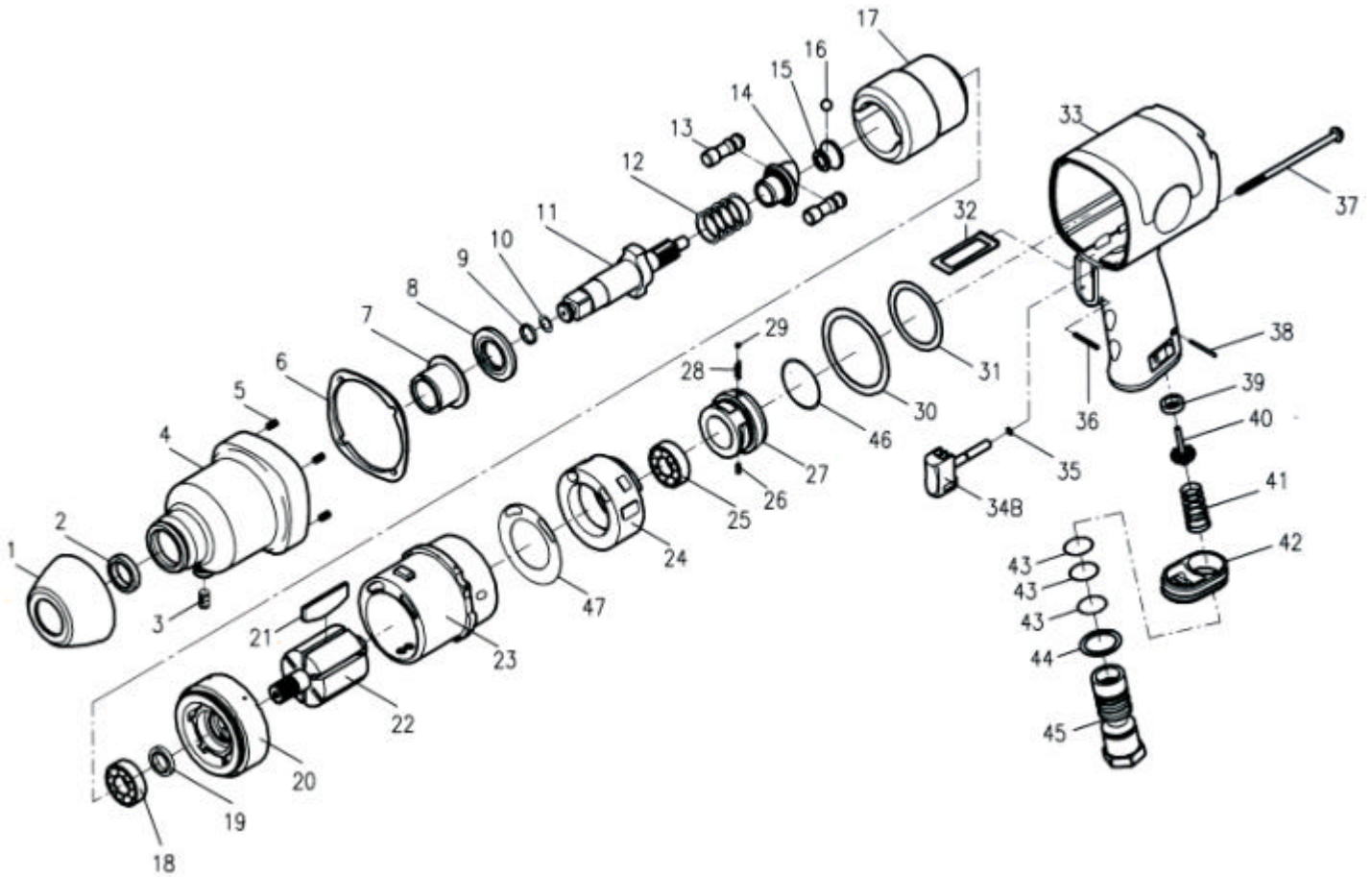


GISON Pneumatic Tools

GW-21G 1/2" Professional Air Impact Wrench



PARTS LIST

★ :Consuming Part

Item No.	Part No.	Description	Qty.	Item No.	Part No.	Description	Qty.
1	21G001	Front Rubber	1	24	21G024	Valve Sleeve	1
2	21G002	Oil Seal	1	25	21G025	Ball Bearing	1
3	21G003	Set Screw	1	26	21G026	Spring Pin	1
4	21G004	Hammer Case	1	27	21G027	Reverse Valve	1
5	21G005	Inserts Recoil	4	28	21G028	Spring	1
6	21G006	Front Gasket	1	29	21G029	Steel Ball	1
7	21G007A	Anvil Bushing	1	30	21G030	Rear Gasket	1
8	21G008	Spacer	1	31	21G031	Washer	1
9	21G009	Anvil Collar	1	32	21G032	Air Channel Gasket	1
10	21G010	O-Ring	1	33	21G033	Motor Housing	1
11	21G011A	Anvil	1	34B	21G034	Trigger	1
	21G011B	2" Anvil		35	21G035	O-Ring	1
12	21G012	Spring	1	36	21G036	Spring Pin	1
13	21G013	Hammer Pin	2	37	21G037	Screw	4
14	21G014	Cam	1	38	21G038	Spring Pin	1
15	21G015	Cam Foundation	1	39	21G039	Bushing	1
16	21G016	Steel Ball	1	40	21G040	Valve Stem	1
17	21G017	Hammer Cage	1	41	21G041	Spring	1
18	21G018	Ball Bearing	1	42	21G042	Exhaust Deflector	1
19	21G019	Oil Seal	1	43	21G043	O-Ring	3
20	21G020	Front End Plate	1	44	21G044	Washer	1
21	21G021	Rotor Blade	6	45	21G045	Air Inlet (1/4" PF)	1
22	21G022	Rotor	1	46	21G046	O-Ring	1
23	21G023	Cylinder	1	47	21G047	Valve Sleeve Gasket	1