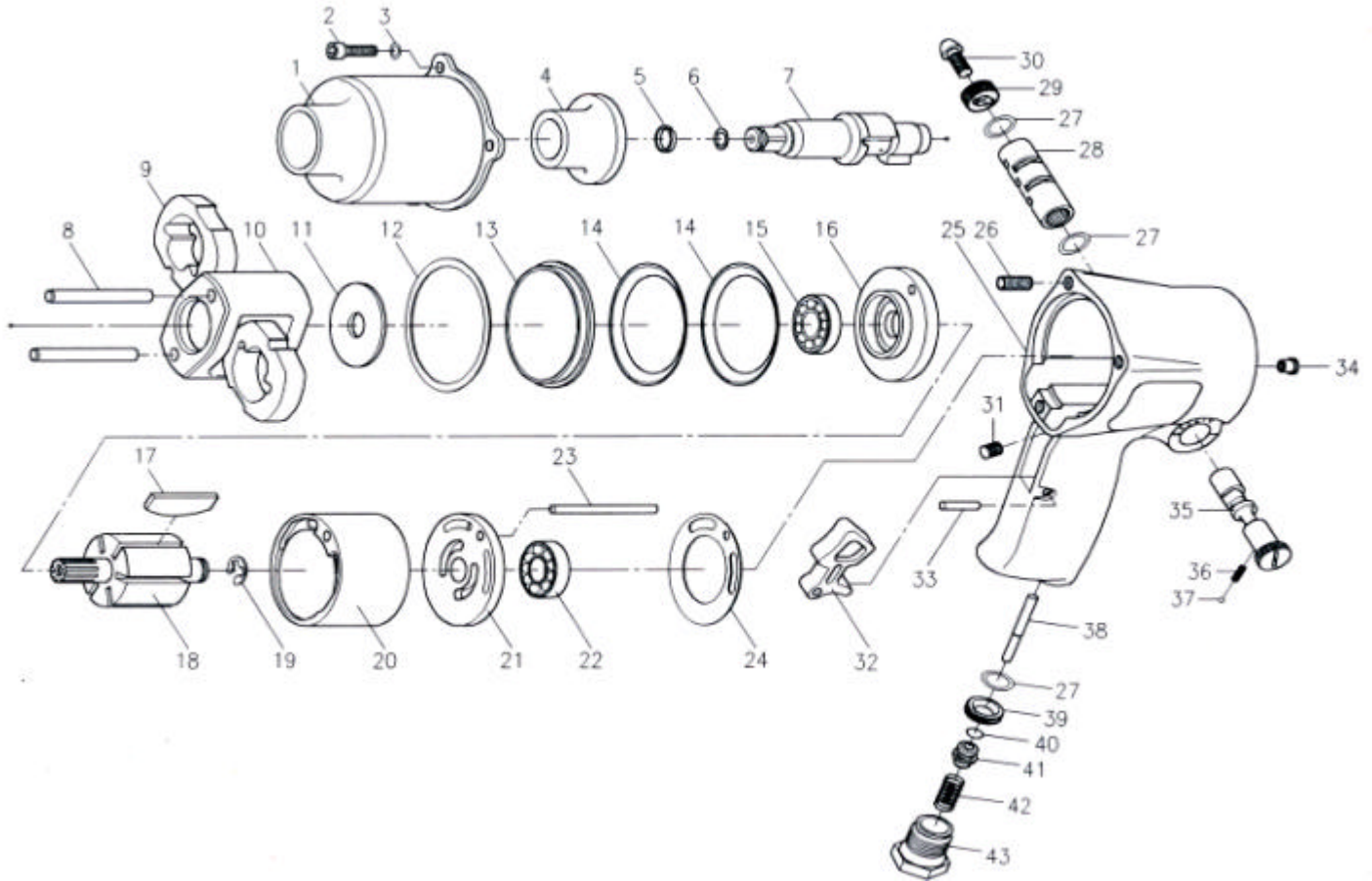




# GISON Pneumatic Tools

## GW-19C 1/2" Professional Air Impact Wrench



### PARTS LIST

✦ :Consuming Part

Item No.	Part No.	Description	Qty.	Item No.	Part No.	Description	Qty.
1	19C001	Hammer Case	1	23	19C023	Pin	1
2	19C002	Cap Screw	3	24	19C024	Rear Gasket	1
3	19C003	Spring Washer	3	25	19C025	Motor Housing	1
4	19C004	Bushing	1	26	19C026	Inserts Recoil	3
5	19C005	Anvil Collar	1	27	19C027	O-Ring	3
6	19C006A	O-Ring	1	28	19C028	Valve Sleeve	1
	19C007A	Anvil		29	19C029	Regulator Knob	1
7	19C007B	2" Anvil	1	30	19C030	Cap Screw	1
8	19C008A	Hammer Pin	2	31	19C031	Set Screw	1
9	19C009	Hammer	2	32	19C032	Trigger	1
10	19C010	Hammer Cage	1	33	19C033	Pin	1
11	19C011	Rear Washer	1	34	19C034	Grease Fitting	1
12	19C012	Gasket	1	35	19C035	Reverse Valve	1
13	19C013	Hammer Case Pilot	1	36	19C036	Spring	1
14	19C014	Motor Clamp Washer	2	37	19C037	Steel Ball	1
15	19C015	Ball Bearing	1	38	19C038	Valve Stem	1
16	19C016	Front End Plate	1	39	19C039	Bushing	1
17	19C017	Rotor Blade	6	40	19C040	O-Ring	1
18	19C018	Rotor	1	41	19C041	Throttle Valve	1
19	19C019	Snap Ring	1	42	19C042	Spring	1
20	19C020	Cylinder	1	43	19C043A	Air Inlet (1/4"PF)	1
21	19C021	Rear End Plate	1		19C043B	Air Inlet (1/4"PT)	
22	19C022	Ball Bearing	1		19C043C	Air Inlet (1/4"NPT)	