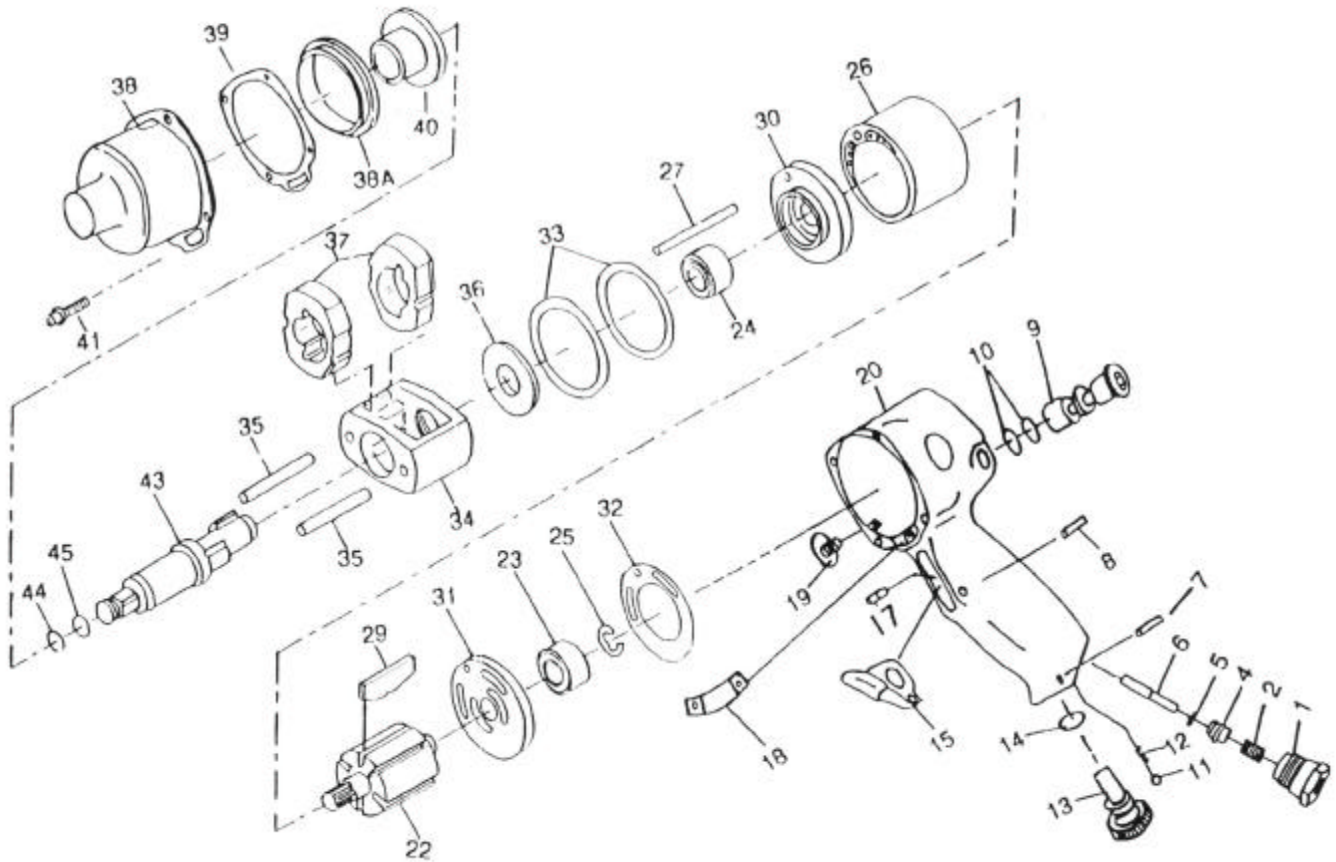


吉生 GISON

GW-19 1/2" Heavy Duty Impact Wrench



PARTS LIST

✳ : Consuming Part

Item No.	Part No.	Description	Qty.	Item No.	Part No.	Description	Qty.
1	19W001	Hose Adapter	1	27	19W027	Cylinder Dowel	1
2	19W002	Valve Spring	1	29	19W029	Vane Packet	6
4	19W004	Throttle Valve	1	30	19W030	Front End Plate	1
5	19W005	O-Ring	1	31	19W031	Rear End Plate	1
6	19W006	Valve Pin	1	32	19W032	End Plate Gasket	1
7	19W007	Regulator Stop Pin	1	33	19W033	Motor Clamp Washer	2
8	19W008	Trigger Pin	1	34	19W034	Hammer Frame Assembly	1
9	19W009	Reverse Valve	1	35	19W035	Hammer Pin	2
10	19W010	O-Ring	2	36	19W036	Hammer Frame Rear Washer	1
11	19W011	Steel Ball	1	37	19W037	Hammer	2
12	19W012	Spring	1	38	19W038	Hammer Case Assembly	1
13	19W013	Air Regulator	1	39	19W039	Hammer Case Pilot	1
14	19W014	O-Ring	1	40	19W040	Hammer Case Gasket	1
15	19W015	Trigger with Bushing	1	41	19W041	Hammer Case Bushing	1
17	19W017	Throttle Pin	1	42	19W042	Hammer Case Cap Screw	4
18	19W018	Exhaust Deflector	1	43	19W043	Anvil Assembly	1
19	19W019	Reverse Valve Screw	2	44	19W044	W/2" Extenden Length	1
20	19W020	Motor Housing	1	45	19W045	Socket Retainer	1
22	19W022	Rotor	1	46	19W046	Retainer O-Ring	1
23	19W023	Rear Rotor Bearing	1	47	19W047	Tune-up Kit (include illustrated	
24	19W024	Front Rotor Bearing	1			2,5,10(2),25,29,32,39,44,45	
25	19W025	Rear Rotor Bearing Retainer	1			and nonillustrated part Oiler	
26	19W026	Cylinder	1			Felt)	