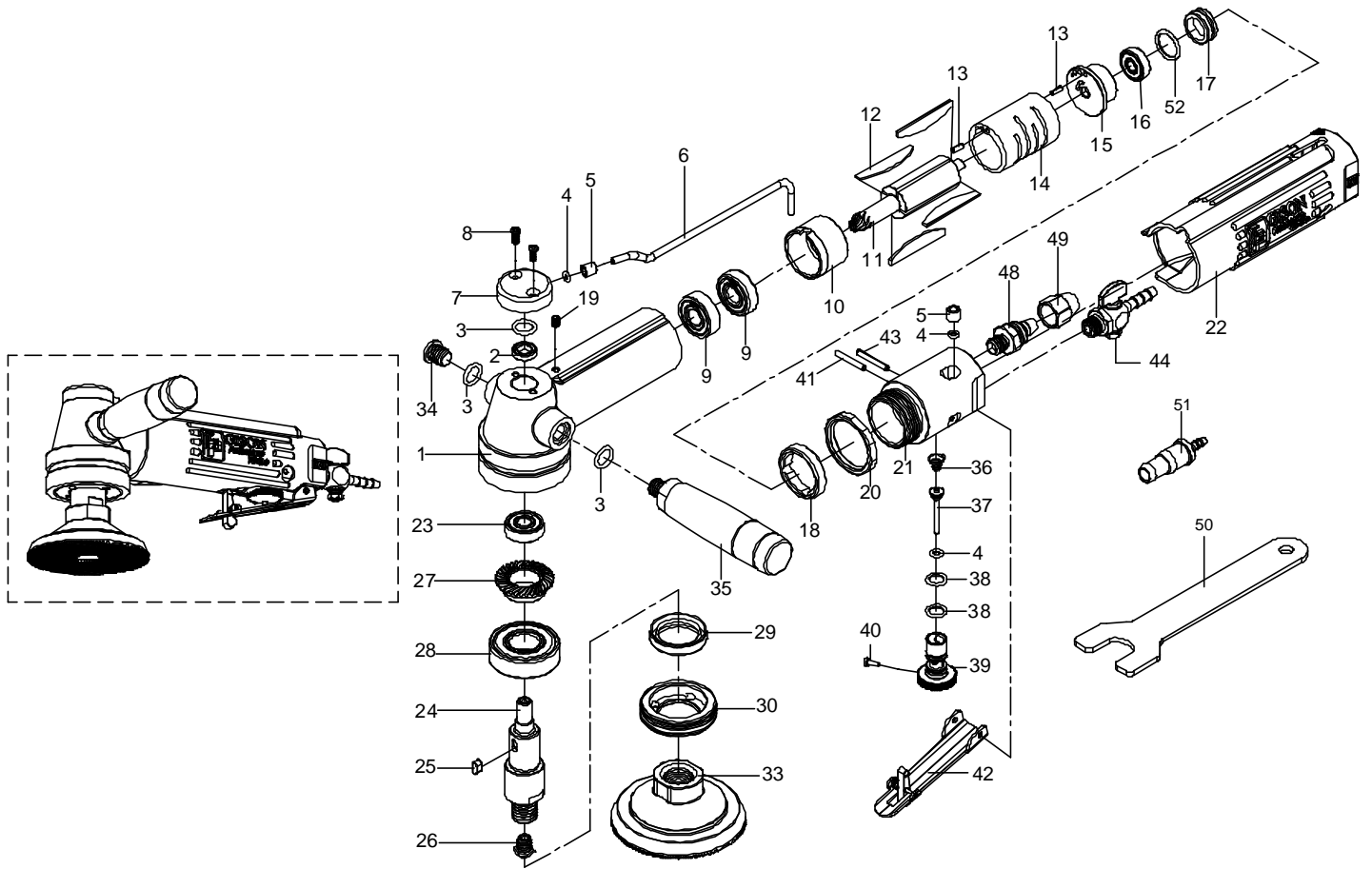


吉生 GISON

GPW-7L Pneumatic Waterfed Sander



PARTS LIST

✳: Consuming Parts

Item No.	Part No.	Description	Qty.	Item No.	Part No.	Description	Qty.
1	7W001	Main Body	1	25	KC003	Locking Key	1
✳ 2	SG009	Oil Sealer	1	26	829005W	Water Exit	1
3	OR006	O-Ring	3	✳ 27	7W029	Spiral Gear	1
4	OR044	O-Ring	3	✳ 28	B6203LLU	Bearing	1
5	7W013-2	Brass Cover	2	✳ 29	SG011-1	Oil Sealer	1
6	7W020	Water Inlet Tube	1	30	7W033	Locking Screw Cap	1
7	7W023	Water Inlet Transfer Pos	1	33	7W037	3" Sanding Pad	1
8	MC007	Screw	2	33	7W037-1	4" Sanding Pad	
✳ 9	B6000LLU	Bearing	2	34	7W040	Plug	1
10	7W004	Cylinder Cap	1	35	7W38-1	Handle	1
✳ 11	7W006	Rotor	1	36	S046	Spring	1
✳ 12	7W007	Blade	4	37	218L027	Valve Pin	1
13	SP014	Spring Pin	2	38	OR030	O-Ring	2
14	7W005	Cylinder	1	39	218L012	Air Plunger	1
15	7W008	Rear Cylinder Cap	1	40	DR001	Riveter	1
✳ 16	B626LLU	Bearing	1	41	P011	Pin	1
17	7W010	Dust-Proof Plug	1	42	829005A	Throttle Lever	1
18	7W011	Locking Cap	1	43	SP026	Spring Pin	1
19	MS010	Screw	1	44	7W019S	Water Cock	1
20	7W012	Locking Ring	1	48	7W042	Air Inlet Nozzle	1
21	7WL045	Shifting Post	1	49	7W043	Hose Adaptor	1
22	7WL044	Rubber Sleeve	1	50	829048	Stop Spanner	1
✳ 23	B608LLU	Ball Bearing	1	51	7W019-1	Water Valve	1
24	7W027D	Main Shaft (5/8")	1	52	OR042	O-Ring	1
	7W027E	Main Shaft (M14)					