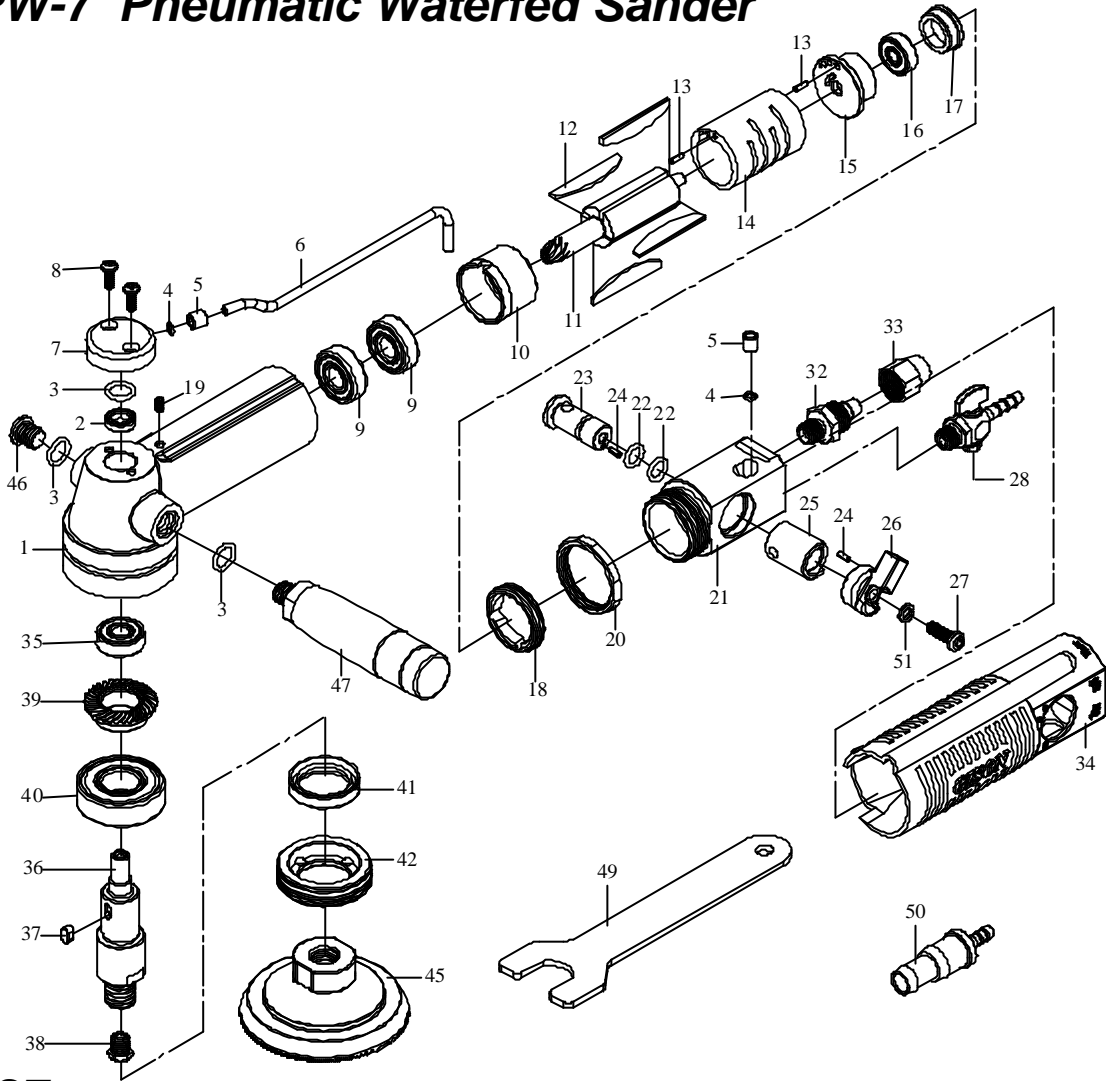


# 吉生 GISON

## GPW-7 Pneumatic Waterfed Sander



### PARTS LIST

✿: Consuming Parts

Item No.	Part No.	Description	Qty.	Item No.	Part No.	Description	Qty.
1	7W001	Main Body	1	25	7W013-1	Bush	1
✿ 2	SG009	Oil Seal	1	✿ 26	7W016	Shifting Knob	1
3	OR006	O-Ring	3	27	MC008	Locking Screw	1
4	OR044	O-Ring	2	28	7W019S	Water Cock	1
5	7W013-2	Brass Cover	2	32	7W042	Air Inlet Nozzle	1
6	7W020	Water Inlet Tube	1	33	7W043	Hose Adaptor	1
7	7W023	Water Inlet Transfer Pos	1	34	7W021	Rubber Glue	1
8	MC007	Screw	2	✿ 35	B608LLU	Bearing	1
✿ 9	B6000LLU	Bearing	2	36	7W027D	Main Shaft (5/8")	1
10	7W004	Cylinder Cap	1		7W027E	Main Shaft (M14)	
✿ 11	7W006	Rotor	1	37	KC003	Locking Key	1
✿ 12	7W007	Blade	4	38	829055W	Water Exit	1
13	SP014	Spring Pin	2	39	7W029	Spiral Gear	1
14	7W005	Cylinder	1	✿ 40	B6203LLU	Bearing	1
15	7W008	Rear Cylinder Cap	1	41	SG011-1	Oil Sealer	1
✿ 16	B626LLU	Bearing	1	42	7W033	Locking Screw Cap	1
17	7W010	Dust-Proof Plug	1	45	7W037	3" Sanding Pad	1
18	7W011	Locking Cap	1		7W037-1	4" Sanding Pad	
19	MS010	Screw	1	46	7W040	Plug	1
20	7W012	Locking Ring	1	47	7W038	Handle	1
21	7W013	Shifting Post	1	49	829048	Stop Spanner	1
22	OR030	O-Ring	2	50	7W019-1	Water Valve	1
23	7W014	Air Plunger	1	51	SPW5	Spring Washer	1
24	SP033	Spring Pin	2				