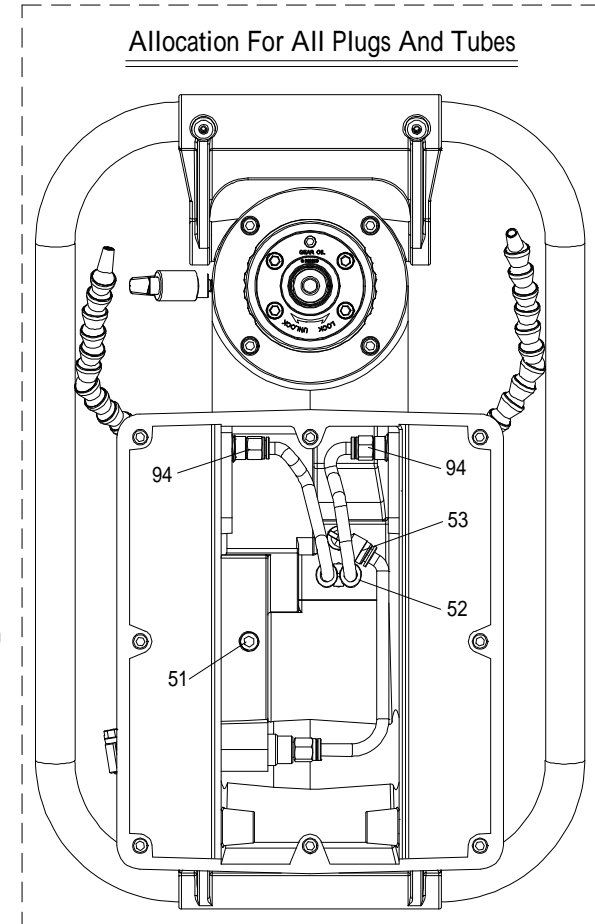
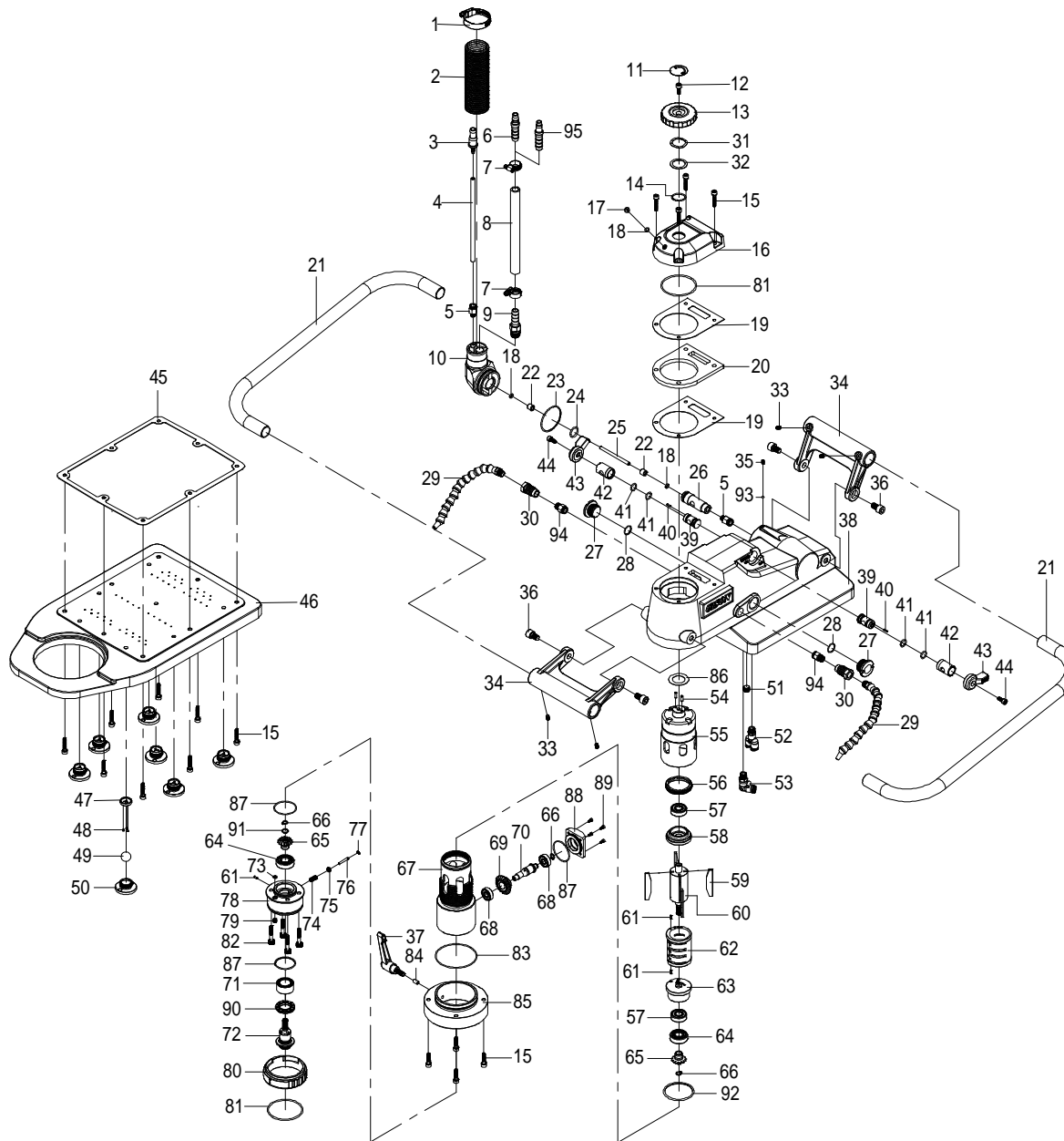


吉生 GISON

GPW-500A Pneumatic Edge Milling Machine



PARTS LIST

✿ :Consuming Part

Item No.	Part No.	Description	Qty.	Item No.	Part No.	Description	Qty.	Item No.	Part No.	Description	Qty.
1	50038000	Retainer Ring	1	34	50002300	Working Frame	2	✿ 65	831017	Pinion Gear	2
2	50032000	Pipe Thread	1	35	MS008	Screw	1	66	C9	C-Ring	3
3	5W019-1	Water Valve	1	36	CAP027	Cap Screw	4	67	500A7000	Compressing Bushing	1
✿ 4	50029000	A Step Air Hose	4	37	500A7060	Tap Bolt	1	✿ 68	B629ZZ	Ball Bearing	2
5	50022000	Quick Plug	2	38	50001000	Housing	1	✿ 69	831009	Bevel Gear	1
6	50027010	Quick Joint (NPT18)	1	39	50020000	Swifiting Valve	2	70	500A8000	Main Shaft	1
7	50039000	Retainer Ring	2	40	SP035	Spring Pin	2	✿ 71	BNKI2216	Needle Bearing	1
8	50037000	Air Hose	1	✿ 41	OR043	O-Ring	4	72	50090001A	Shaft	1
9	50027000	Air Inlet Nozzle	1	42	50019000	Valve Bushing	2	✿ 73	OR029	O-Ring	1
10	50004000	Tappet Seat	1	43	50001200	Water Valve	2	74	S048	Spring	1
11	510A10403	Indicating Plate	1	44	CAP021	Cap Screw	2	75	510A30502	Bushing	1
12	CAP018	Cap Screw	1	45	50006000	Gasket	1	76	510A30500	Locking Pin	1
13	500A7050	Turning Wheel	1	46	50005000	Bottom Board	1	77	E3	E-Ring	1
✿ 14	OR027	O-Ring	1	47	50005021	Ball Friction	7	78	500A7020	Shaft Bottom	1
15	CAP023	Cap Screw	16	✿ 48	50005022	Rolling Ball	21	79	MS013	Set Screw	1
16	5000200A	Air Inlet Cap	1	✿ 49	50005010	Rolling Ball	7	80	500A7040	Set Retainer	1
17	MC004	Screw	1	50	50005020	Ball Friction Screw	7	✿ 81	OR048	O-Ring	2
✿ 18	OR022	O-Ring	2	51	MS016	Screw	1	82	CAP029	Cap Screw	4
19	50002010	Gasket	2	52	50025000	Labor-Saving quick joint, Y-Type	1	✿ 83	OR050	O-Ring	1
20	5000201A	Gasket	1					84	P024	Pin	1
21	50024000	Handle	2	53	50034000	Labor-Saving quick joint, L-Type	1	85	500A3000	Bottom Deflector	1
22	50001011	Bushing	1					86	500A7031	Gasket	1
✿ 23	OR004	O-Ring	1	54	SP017	Spring Pin	2	✿ 87	OR009	O-Ring	3
✿ 24	OR015	O-Ring	1	55	500A7030	Screw Adjusting Bushing	1	88	500A7010	Planet Cage	1
25	50001012	Pipe	1	56	500A7080	Locking Screw	1	89	CAP026	Cap Screw	4
26	50001010	Swift Bushing	1	✿ 57	B6201ZZ	Bearing	2	✿ 90	500F01	Retainer	1
27	500A7070	Seal Screw	2	58	831026	Rear Plate	1	91	WW10	Wave Washer	1
✿ 28	OR039	O-Ring	2	✿ 59	831023	Rotor Blade	4	✿ 92	OR049	O-Ring	1
29	50040000	Flexible Tube	2	60	831024	Rotor	1	93	380022	Steel Ball	1
30	50013000	Tube Screw	2	61	SP025	Spring Pin	2	94	50021000	Quick Plug	2
31	WW26	Washer	1	62	831022	Cylinder	1	95	50027020	Quick Joint (PT19)	1
32	500A7051	Gasket	1	63	831021	Front Plate	1				
33	MS012	Screw	4	✿ 64	B6202ZZ	Ball Bearing	2				