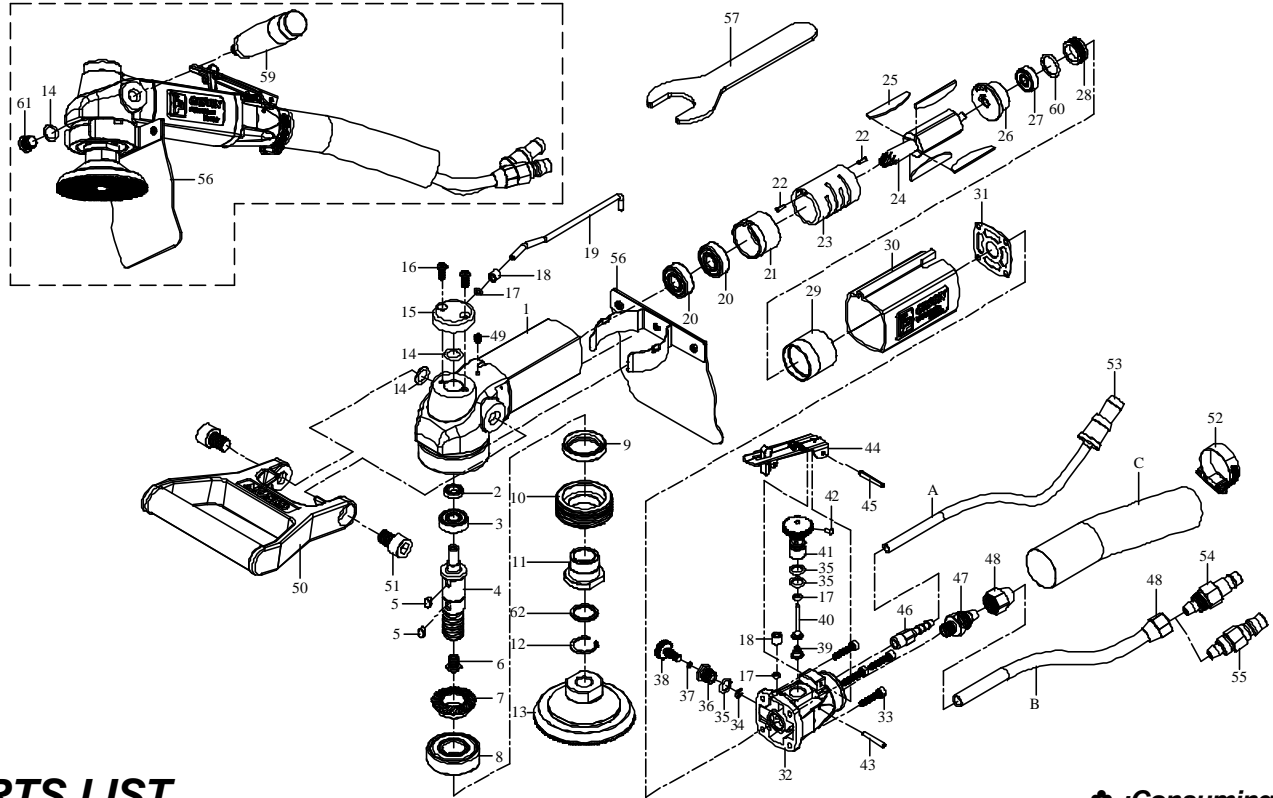


吉生 GISON

GPW-218L Pneumatic Waterfed Sander



PARTS LIST

★ :Consuming Part

Item No.	Part No.	Description	Qty.	Item No.	Part No.	Description	Qty.
1	218001	Body	1	33	CAP020	Cap Screw	4
★ 2	SG009	Oil Seal	1	34	E3	E-Ring	1
★ 3	B608LLU	Bearing	1	35	OR030	O-Ring	3
4	5W027	Main Shaft	1	36	218L013	Bushing	1
5	KC003	Locking Key	2	37	OR001	O-Ring	1
6	829055W	Water Exit	1	38	218L014	Water Inlet Knob	1
★ 7	5W029	Spiral Gear	1	39	S046	Spring	1
★ 8	B6203LLU	Bearing	1	40	218L027	Valve Pin	1
★ 9	SG011-1	Oil Seal	1	41	218L012	Air Plunger	1
10	218006	Locking Screw Cap	1	42	DR001	Riveter	1
11	218008	Locking Gasket	1	43	P011	Pin	1
12	OR026	Retaining Ring	1	44	829005A	Throttle Lever	1
★ 13	5W037	Sanding Pad	1	45	SP026	Spring Pin	1
14	OR006	O-Ring	2	46	218011	Water Valve	1
15	5W023	Water Inlet Transfer Pos	1	47	5W042	Air Inlet Nozzle	1
16	MC007	Screw	2	48	5W043	Hose Adaptor	2
17	OR044	O-Ring	3	49	MS010	Set Screw	1
18	5W013-2	Brass Cover	2	50	218005	C Handle	1
19	218003	Water Inlet Tube	2	51	CAP027	Screw	2
★ 20	B6000LLU	Bearing	2	52	218022	Retainer Ring	1
21	5W004	Cylinder Cap	1	53	5W019-1	Water Valve	1
22	SP014	Spring Pin	2	54	218019	Quick Joint (PT19)	1
23	5W005	Cylinder	1	55	218020	Quick Joint (NPT18)	1
★ 24	5W006	Rotor	1	56	218025A	Water Shroud	1
★ 25	5W007	Blade	4	57	5W041	Open Spanner	1
26	5W008	Rear Cylinder Cap	1	59	5W038	Side Handle	1
★ 27	B626LLU	Bearing	1	60	OR042	O-Ring	1
28	5W010	Dust-Proof Plug	1	61	5W040	Cap Screw	1
29	218017	Cylinder Bushing	1	62	218030	Washer	1
30	218L004	Rubber Sleeve	1	A	218021	Water Hose	1
31	218018	Gasket	1	B	218023	Air Inlet Tube	1
32	218L002	Exhaust Plate Set	1	C	218024	Air Exhaust Tube	1