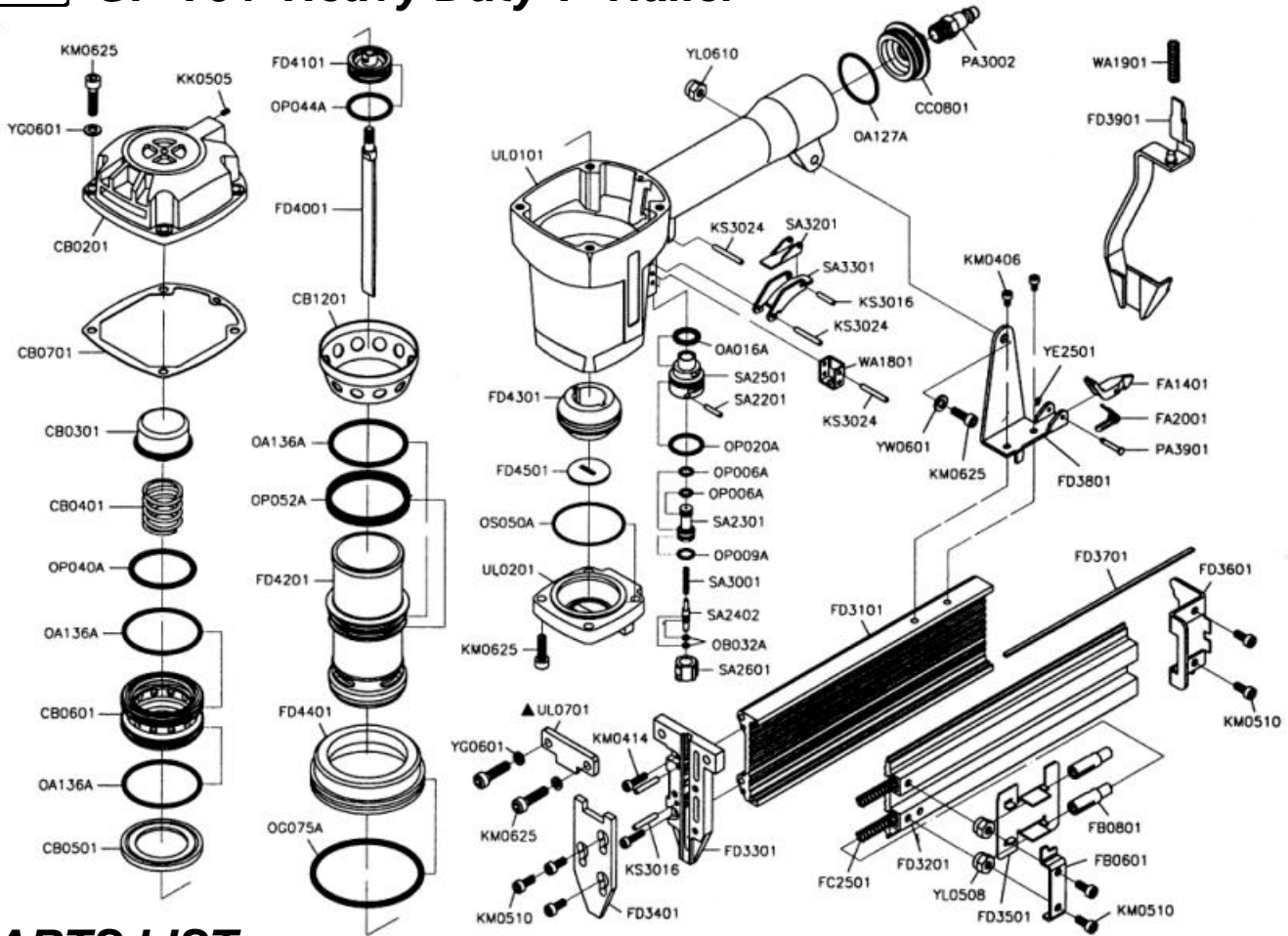


# 吉生 GISON

## GP-T64 Heavy Duty T-Nailer



### PARTS LIST

✳ : Consuming Part

Item No.	Part No.	Description	Qty.	Item No.	Part No.	Description	Qty.	Item No.	Part No.	Description	Qty.
1	CB0201	CYLINDER CAP	1	24	FD4101	Main Piston	1	47	OP052A	O-RING (P52)	1
2	CB0301	PISTON STOP	1	25	FD4201	Cylinder	1	48	OS050A	O-RING (S50)	1
3	CB0401	COMPRESSION SPRING	1	26	FD4301	Bumper	1	49	PA3002	COUPLING PLUG (1/4")	1
4	CB0501	HEAD VALVE SEAL	1	27	FD4401	Cylinder Ring	1	50	PA3901	LATCH PIN	1
5	CB0601	HEAD VALVE PISTON	1	28	FD4501	Bumper Plate	1	51	SA2201	STOP PIN	2
6	CB0701	CAP SEAL	1	29	KK0505	Set Screw (M5 x 0.8-5L)	1	52	SA2301	PILOT VALVE	1
7	CB1201	COLLAR	1	30	KM0406	Hex.Soc.Hd.Bolt (M4 x 0.7-6L)	2	53	SA2402	TRIGGER VALVE STEM	1
8	CC0801	END CAP	1	31	KM0414	Hex.Soc.Hd.Bolt(M4 x 0.7-14L)	2	54	SA2501	TRIGGER VALVE SEAT	1
9	FA1401	LATCH	1	32	KM0510	Hex.Soc.Hd.Bolt(M5 x 0.8-10L)	7	55	SA2601	INNER VALVE SEAT	1
10	FA2001	LATCH SPRING	1	33	KM0625	Hex.Soc.Hd.Bolt(M6 x 1.0-25L)	11	56	SA3001	SPRING	1
11	FB0601	PUSHER STOP	1	34	KS3016	Spring Pin (Ø3-16L)	3	57	SA3201	CONTACT LEVER	1
12	FB0801	PUSHER PIN	2	35	KS3024	Spring Pin (Ø3-24L)	4	58	SA3301	TRIGGER	1
13	FC2501	PUSHER SPRING	2	36	OA016A	O-Ring (ARP568-016)	1	59	UL0101	BODY	1
14	FD3101	MAGAZINE SEAT	1	37	OA127A	O-Ring (ARP568-127)	1	60	UL0201	BOTTOM PLATE ASSY.	1
15	FD3201	MAGAZINE CAP	1	38	OA136A	O-Ring (ARP568-136)	2	61	UL0701	COVER PLATE (A)	1
16	FD3301	GUIDE PLATE	1	39	OA137A	O-Ring (ARP568-137)	1	62	WA1801	SAFETY GUIDE	1
17	FD3401	COVER PLATE (B)	1	40	OB032A	O-Ring (2.5x 1.4)	2	63	WA1901	SAFETY SPRING	1
18	FD3501	PUSHER	1	41	OG075A	O-Ring (G75)	1	64	YE2501	E-RING (Ø2.5)	1
19	FD3601	STOP PLATE	1	42	OP006A	O-Ring (P6)	2	65	YG0601	SPRING WASHER (Ø6)	6
20	FD3701	BAR	1	43	OP009A	O-Ring (P9)	1	66	YL0508	LOCK NUT (M5 x 0.8)	2
21	FD3801	SUPPORT	1	44	OP020A	O-Ring (P20)	1	67	YL0610	LOCK NUT (M6 x 1.0)	1
22	FD3901	SAFETY	1	45	OP040A	O-Ring (P40)	1	68	YW0610	FLAT WASHER (Ø6)	1
23	FD4001	DRIVER	1	46	OP044A	O-Ring (P44)	1				

If you need to order parts, please mark both **Parts No.** and **Description.**