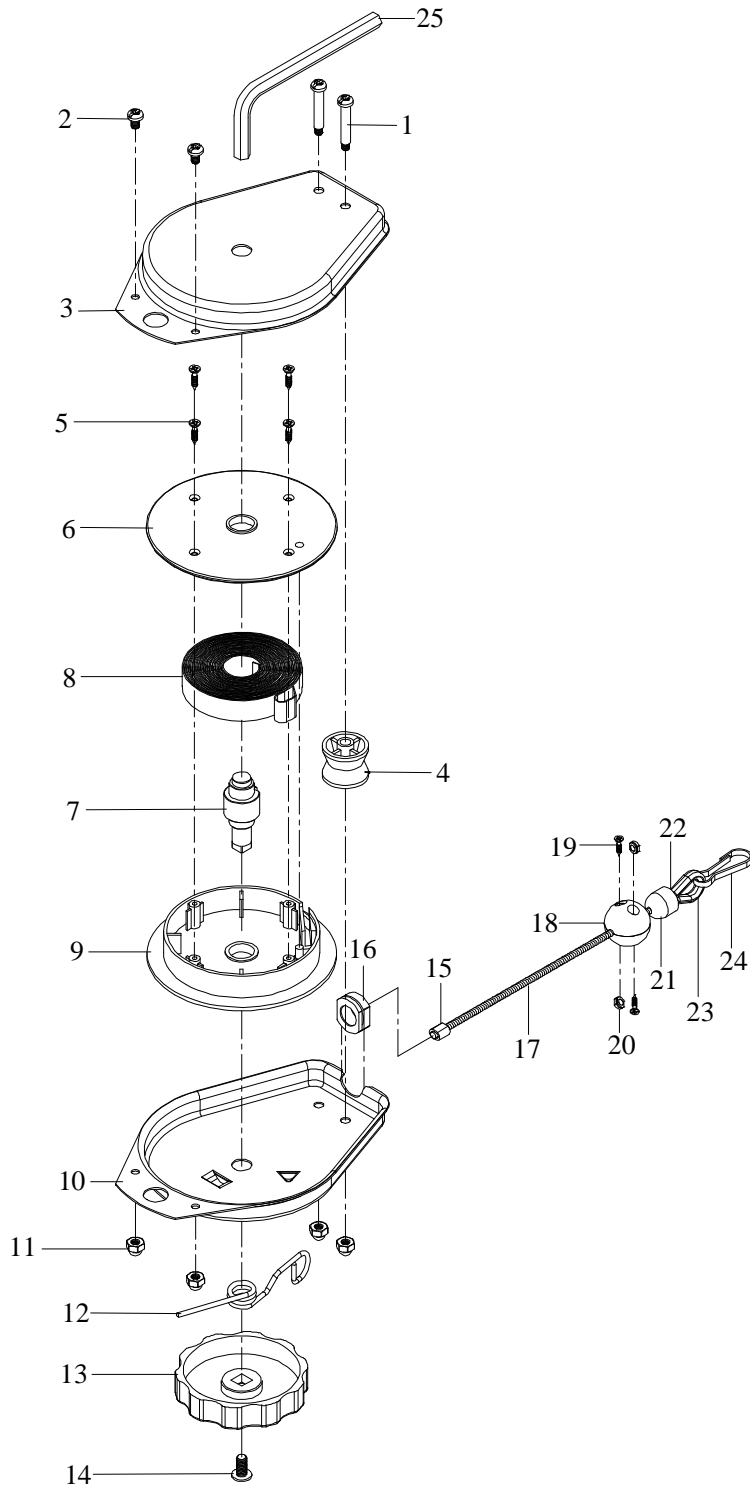


GISON Pneumatic Tools

GP-SB01F Spring Balancer



PARTS LIST

✦ : Consuming Part

Item No.	Part No.	Description	Qty.	Item No.	Part No.	Description	Qty.
1	SB01F01	Long Screw (5/32" x 29.5)	2	10	SB01F10	Rear Shell	1
2	SB01F02	Short Screw (5/32" x 1/4")	1	11	SB01F11	Nut (5/32")	4
3	SB01F03	Front Shell	1	12	SB01F12	Locking Spring	1
4	SB01F04	Roller	2	13	SB01F13	Adjusting Knob	1
5	SB01F05	Wedge Cover Screw (3x14)	4	14	SB01F14	Screw (3/16" x 3/8")	1
6	SB01F06	Spring Cover	1	15~24	SB01F15~24	Wire Rope Set (No.15~24)	1
7	SB01F07	Shaft (SB-5000)	1	25	SB01F25	5m/m Hex Key	1
8~9	SB01F08~09	Spring Plate Set (No.8~9)	1				