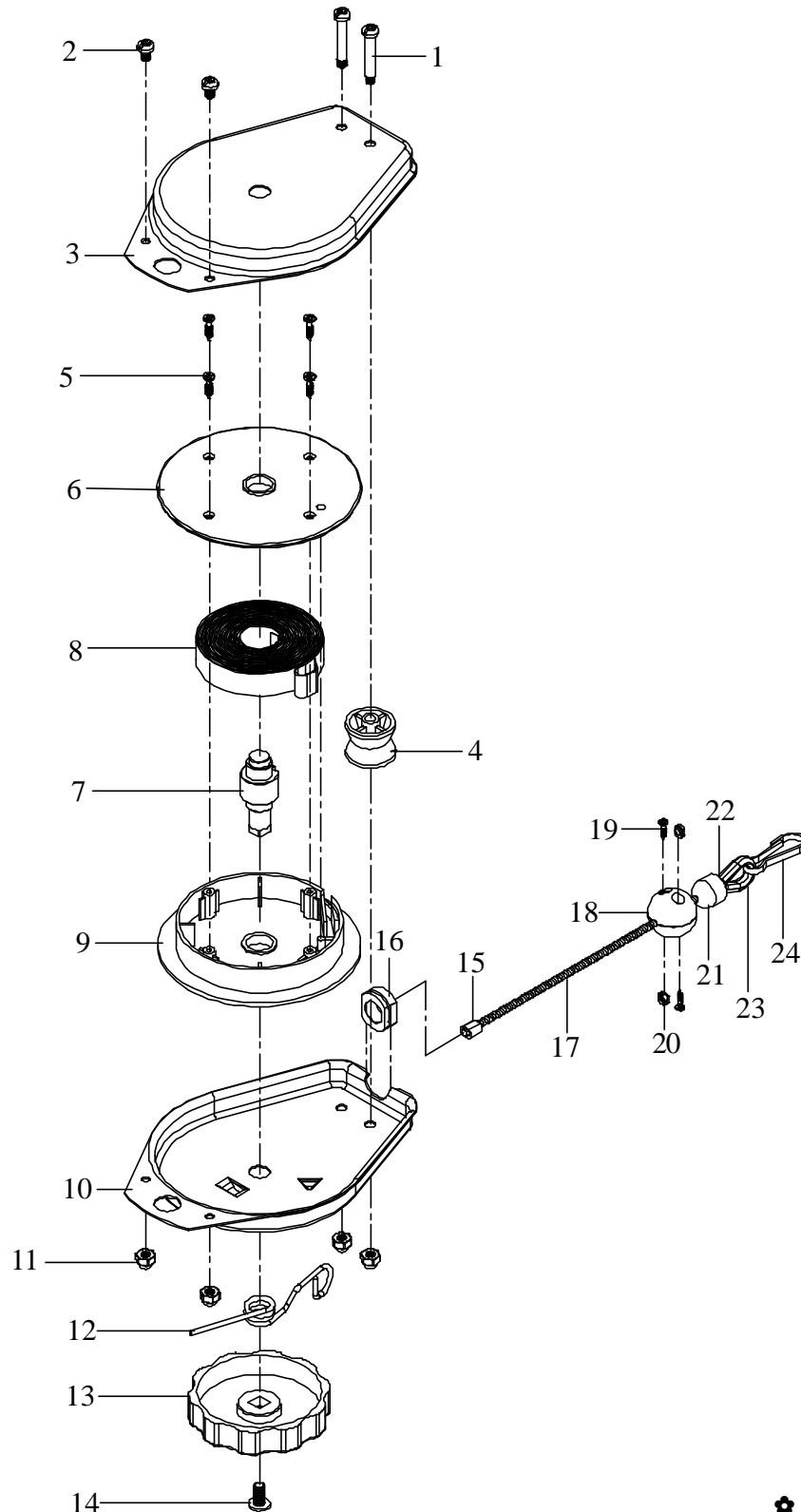


吉生 GISON

GP-SB01CA Spring Balancer



PARTS LIST

☆ :Consuming Part

Item No.	Part No.	Description	Qty.	Item No.	Part No.	Description	Qty.
1	SB01CA01	Long Screw (5/32" x 29.5)	2	8~9	SB01CA08~09	Spring Plate Set (No.8~9)	1
2	SB01CA02	Short Screw (5/32" x 1/4")	1	10	SB01CA10	Rear Shell	1
3	SB01CA03	Front Shell	1	11	SB01CA11	Nut (5/32")	4
4	SB01CA04	Roller	2	12	SB01CA12	Locking Spring	1
5	SB01CA05	Wedge Cover Screw (3x14)	4	13	SB01CA13	Adjusting Knob	1
6	SB01CA06	Spring Cover	1	14	SB01CA14	Screw (3/16" x 3/8")	1
7	SB01CA07	Shaft	1	15~24	SB01CA15~24	Wire Rope Set (No.15~24)	1