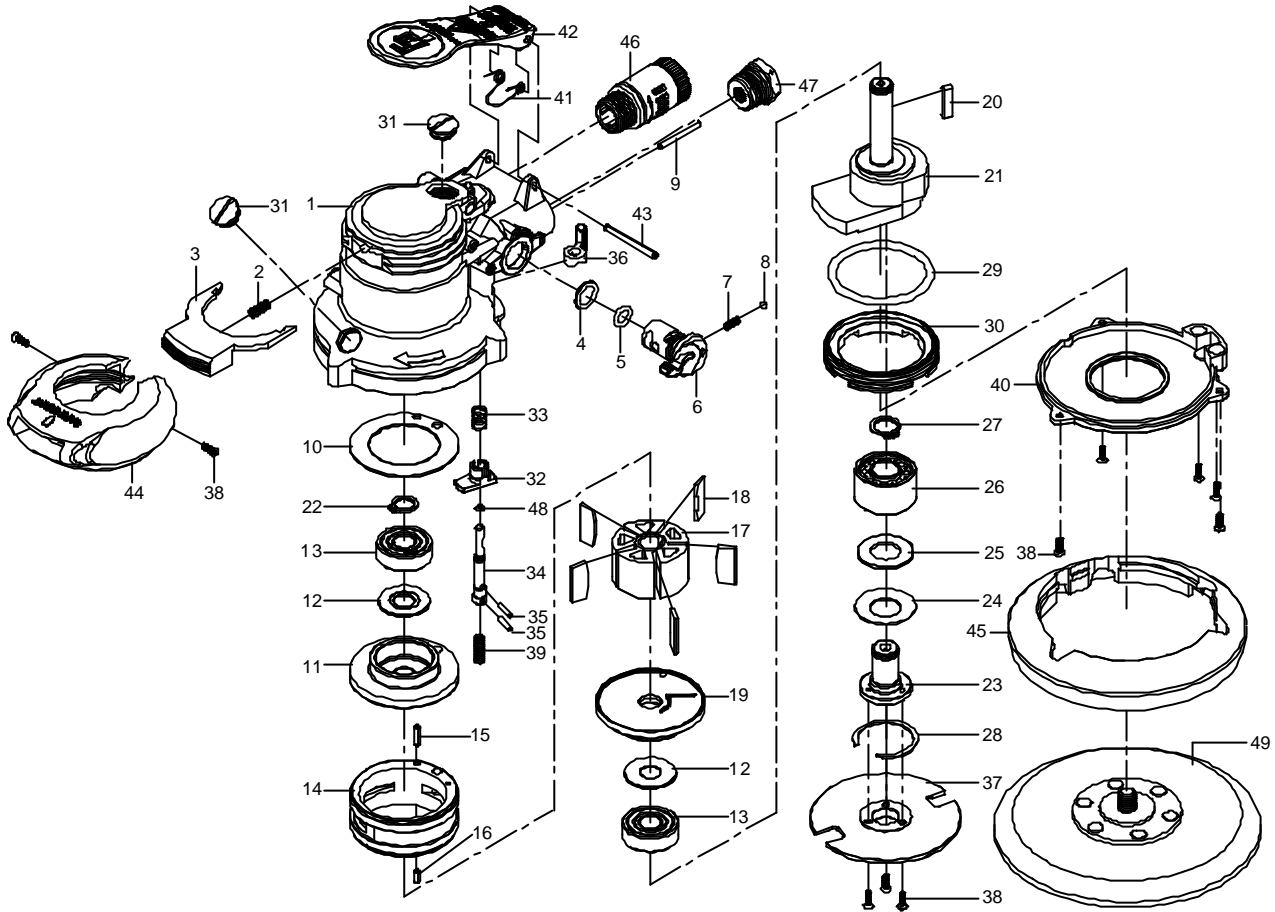


吉生 GISON

GPS-303N5AS/N6AS/N5BS/N6BS/N5CS/N6CS 5"/6" Non-Vacuum Sander



PARTS LIST

✳ : Consuming Part

Item No.	Part No.	Description	Qty.	Item No.	Part No.	Description	Qty.
1	303A01	Body	1	27	C12	Retaining Ring	1
✳ 2	S023	Spring	1	28	IRTW028	Retaining Ring	1
3	303A10302	Safety Button	1	✳ 29	OR047	O-Ring	1
✳ 4	OR006	O-Ring	1	30	302A50000	Lock Ring	1
5	OR002	O-Ring	1	31	302A10700	Screw	2
6	303A10400A	Regulator	1	32	303A10603	Driver	1
✳ 7	S027	Spring	1	✳ 33	S055	Spring	1
8	950010	Steel Ball	1	34	303A10604A	Driver Piston Valve	1
9	P004	Pin	1	35	P001	Pin	2
✳ 10	302A10101	Gasket	1	36	303A10601	Driving Valve	1
11	302A20100	Front Plate	1	37	303A20401	Driving Plate	1
✳ 12	302A20120	Ruber Ring	2	38	MT003	Screw	10
✳ 13	B6000ZZ	Ball Bearing	2	✳ 39	S056	Spring	1
14	302A20000	Cylinder	1	40	303A20600	Seal Cap	1
15	SP022	Spring Pin	1	✳ 41	S042	Spring	1
16	SP014	Spring Pin	1	42	302A10200	Lever	1
17	302A20200	Rotor	1	43	SP027	Spring Pin	1
✳ 18	302A20201	Rotor Blade	5	44	303A10100	Body Sleeve	1
19	302A20110	Rear Plate	1	45	303A30001	Shroud	1
20	KC008	Key	1	46	302D01	Muffle Assy	1
21	302A20300	5" Motor Shaft Balancer (5 mm)	1	47	832057	Hose Adaptor	1
	302B20300	6" Motor Shaft Balancer (5 mm)		48	OR053	O-Ring	1
	302B20302	5" Motor Shaft Balancer (2.5 mm)		49	PADS50F1	5" Stick Pad W/O Holes	1
	303B20302	6" Motor Shaft Balancer (2.5 mm)			PADS50N2	5" Stick Pad W/O Holes	
	303A20303	5" Motor Shaft Balancer (7 mm)			PADV50F1	5" Velcro Pad W/O Holes	
	303B20303	6" Motor Shaft Balancer (7 mm)			PADV50N2	5" Velcro Pad W/O Holes	
22	C10	Retaining Ring	1	PADS60F1	6" Stick Pad W/O Holes	1	
23	303A20400	Main Shaft	1	PADS60N2	6" Stick Pad W/O Holes		
24	WD28	Washer	1	PADV60F1	6" Velcro Pad W/O Holes		
✳ 25	302A20301	Washer	1	PADV60N2	6" Velcro Pad W/O Holes		
✳ 26	B5001	Ball Bearing	1				

