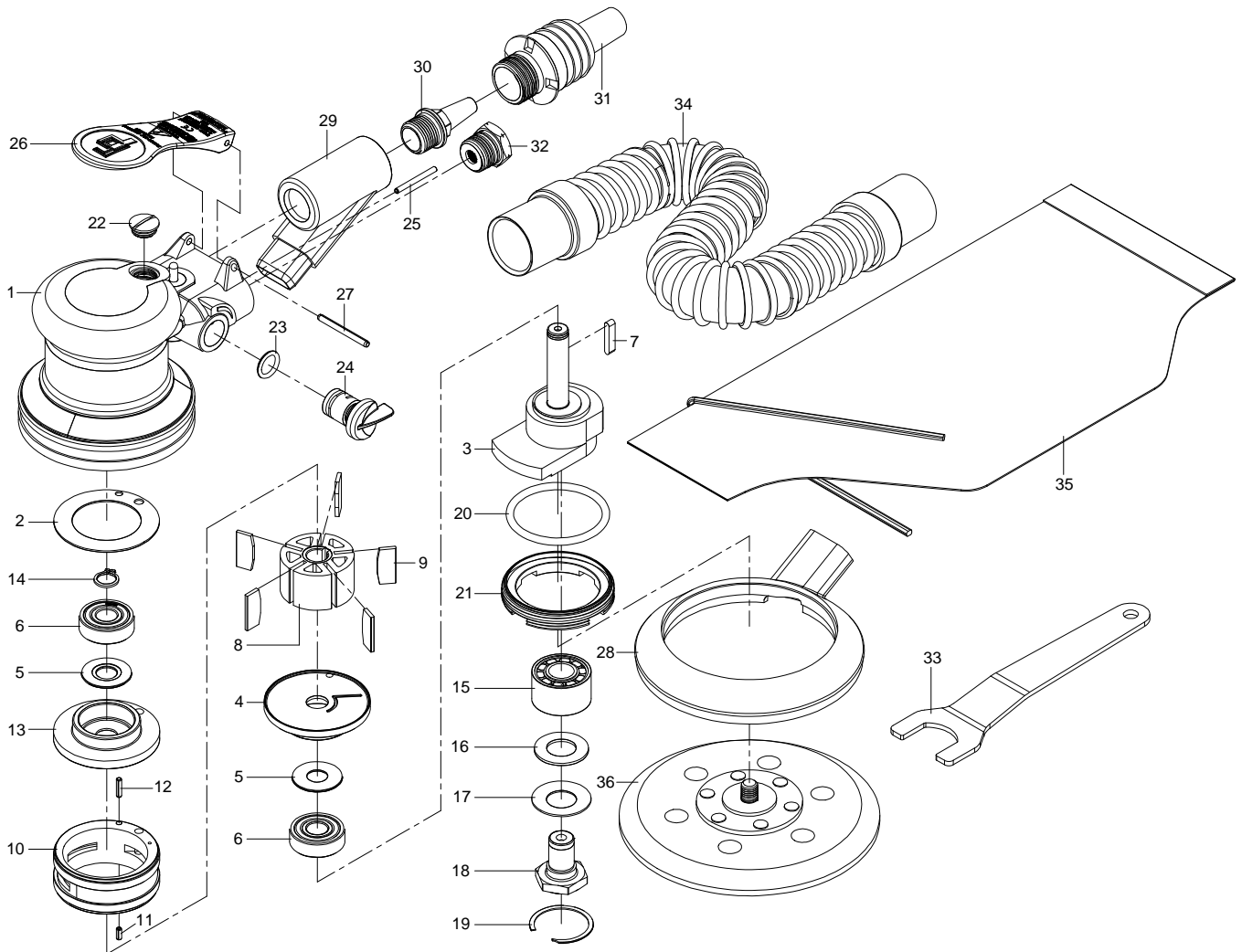




GISON Pneumatic Tools

GPS-301S5A/S6A/S5B/S6B 5"/6" Self-Generated Sander



PARTS LIST

✳ : Consuming Part

Item No.	Part No.	Description	Qty.	Item No.	Part No.	Description	Qty.
1	302A01	Body	1	22	302A10700	Screw	1
✳ 2	302A10101	Gasket	1	✳ 23	OR006	O-Ring	1
3	302A20300	5" Motor Shaft Balancer (5 mm)	1	24	302A10600	Regulator	1
	302B20300	6" Motor Shaft Balancer (5 mm)		25	P004	Pin	1
	302A20302	5" Motor Shaft Balancer (2.5 mm)		26	302A10200	Lever	1
	302B20302	6" Motor Shaft Balancer (2.5 mm)		27	SP027	Spring Pin	1
4	302A20110	Rear Plate	1	28	302A30000	Shroud	1
✳ 5	302A20120	Rubber Ring	2	29	302A4000A	Vacuum Adapter	1
✳ 6	B6000ZZ	Ball Bearing	2	30	302A40100	Ejector	1
7	KC008	Locking Key	1	31	302C01	Dust Hose Set	1
8	302A20200	Rotor	1	32	832057	Hose Adaptor	1
✳ 9	302A20201	Rotor Blade	5	33	301T60000	Spanner For Main Shaft	1
10	302A20000	Cylinder	1	34	302A40201	Dust Hose (GPS-301S)	1
11	SP014	Spring Pin	1	35	302A40202	Dust Bag (GPS-301S)	1
12	SP022	Spring Pin	1	36	PADS55F1	5" Stick Pad W/5 Holes	1
13	302A20100	Front Plate	1		PADS56F1	5" Stick Pad W/6 Holes	
14	C10	Retaining Ring	1		PADS55N2	5" Stick Pad W/5 Holes	
✳ 15	B5001	Ball Bearing	1		PADV55F1	5" Velcro Pad W/5 Holes	
✳ 16	302A20301	Washer	1		PADV56F1	5" Velcro Pad W/6 Holes	
17	WD28	Washer	1		PADV55F2	5" Velcro Pad W/5 Holes	
18	301A20400	Spindle	1		PADS66F1	6" Stick Pad W/6 Holes	
✳ 19	IRTW028	Retaining Ring	1		PADS66N1	6" Stick Pad W/6 Holes	
✳ 20	OR047	O-Ring	1		PADV66F1	6" Velcro Pad W/6 Holes	
21	302A50000	Lock Ring	1		PADV66N1	6" Velcro Pad W/6 Holes	