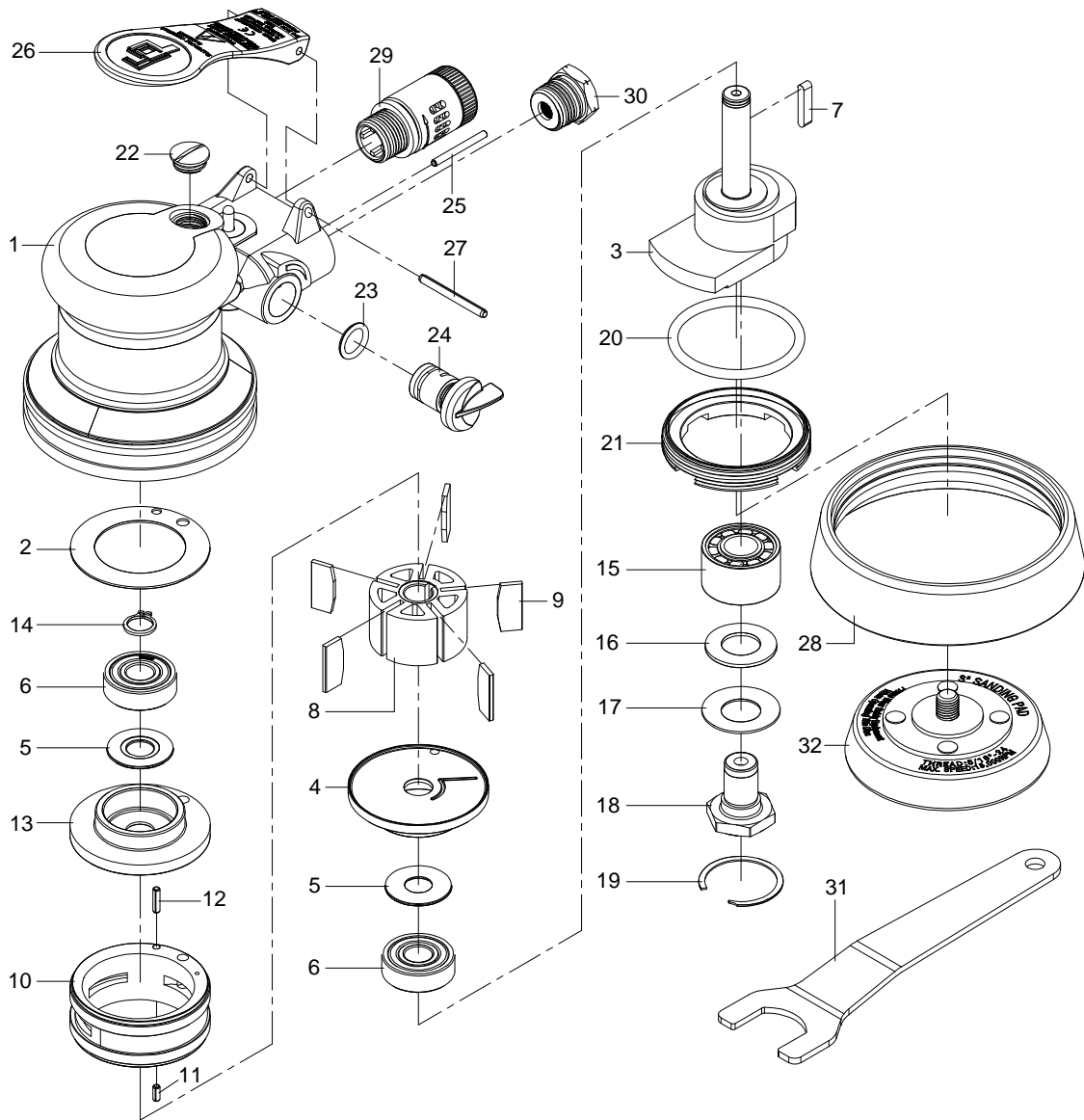




GISON Pneumatic Tools

GPS-301N3A/N4A/N3B/N4B 3"/3-1/2" Non-Vacuum Sander



PARTS LIST

✧: Consuming Parts

Item No.	Part No.	Description	Qty.	Item No.	Part No.	Description	Qty.
1	302A01	Body	1	17	WD28	Washer	1
✧ 2	302A10101	Gasket	1	18	301A20400	Spindle	1
3	302C20300	3-1/2" Motor Shaft Balancer (5 mm)	1	✧ 19	IRTW028	Retaining Ring	1
	302D20300	3" Motor Shaft Balancer (5 mm)		✧ 20	OR047	O-Ring	1
	302C20302	3-1/2" Motor Shaft Balancer (2.5 mm)		21	302A50000	Lock Ring	1
	302D20302	3" Motor Shaft Balancer (2.5 mm)		22	302A10700	Screw	1
4	302A20110	Rear Plate	1	✧ 23	OR006	O-Ring	1
✧ 5	302A20120	Rubber Ring	2	24	302A10600	Regulator	1
✧ 6	B6000ZZ	Ball Bearing	2	25	P004	Pin	1
7	KC008	Locking Key	1	26	302A10200	Lever	1
8	302A20200	Rotor	1	27	SP027	Spring Pin	1
✧ 9	302A20201	Rotor Blade	5	28	302A30200	Shroud	1
10	302A20000	Cylinder	1	29	302D01	Muffler Set	1
11	SP014	Spring Pin	1	30	832057	Hose Adaptor	1
12	SP022	Spring Pin	1	31	301T60000	Spanner For Main Shaft	1
13	302A20100	Front Plate	1	32	PADS30F1	3" Stick Pad W/O Holes	1
14	C10	Retaining Ring	1		PADV30F1	3" Velcro Pad W/O Holes	
✧ 15	B5001	Ball Bearing	1		PADS40F1	3-1/2" Stick Pad W/O Holes	
✧ 16	302A20301	Washer	1		PADV40F1	3-1/2" Velcro Pad W/O Holes	