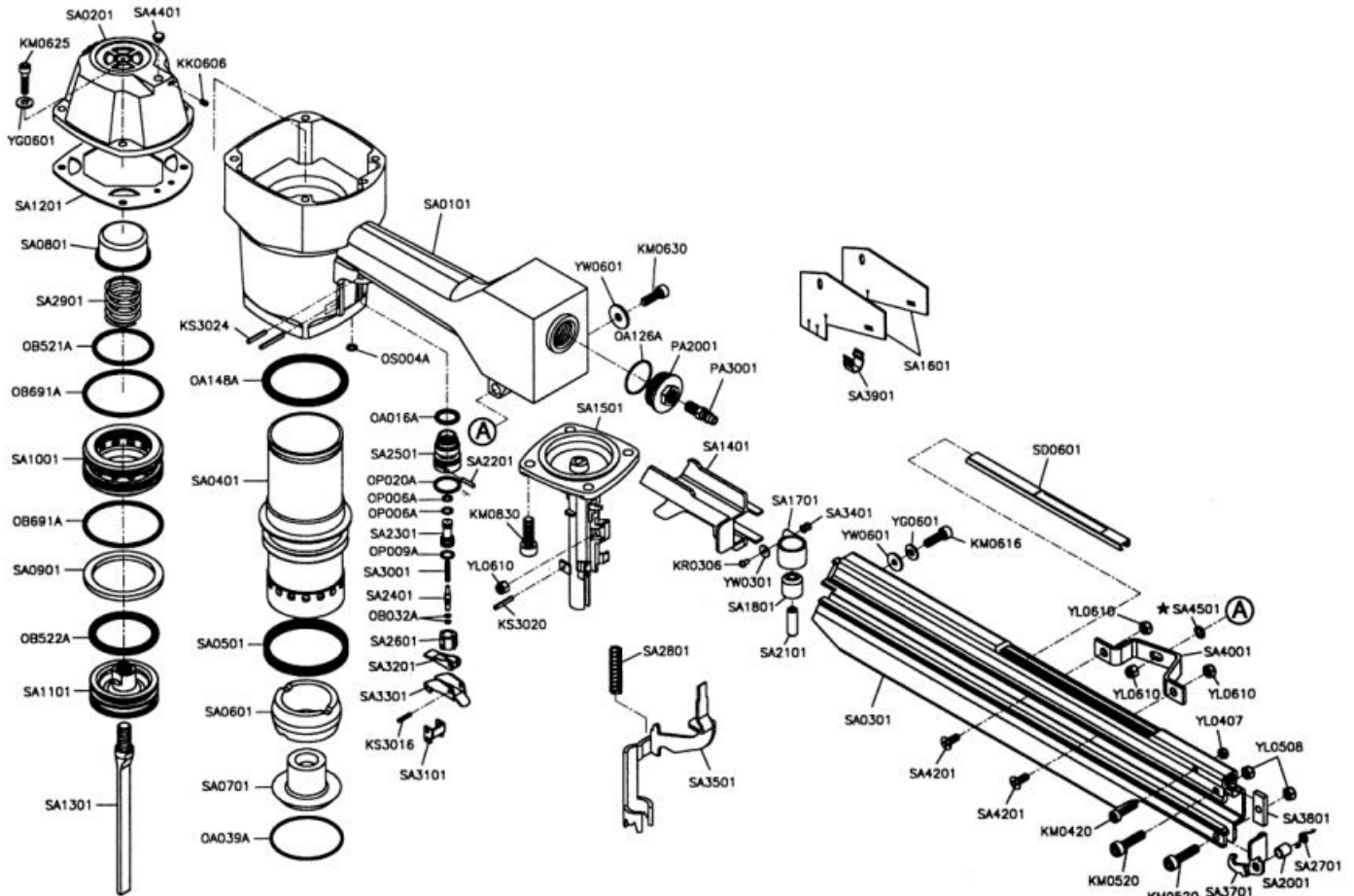


吉生 GISON

GP-S100A Heavy Duty Strip (Stick) Framing Nailer



PARTS LIST

⊛ : Consuming Part

Item No.	Part No.	Description	Qty.	Item No.	Part No.	Description	Qty.	Item No.	Part No.	Description	Qty.
1	KK0606	Set Screw (M6 x1.0-6l)	1	26	SA0101	Body	1	51	SA2701	LATCH SPRING	1
2	KM0420	Hex.Soc.Hd.Bolt (M4 x0.7-20L)	1	27	SA0201	Cylinder Cap	1	52	SA2801	SPRING	1
3	KM0520	Hex.Soc.Hd.Bolt (M5 x0.8-20L)	2	28	SA0301	Magazine Seat	1	53	SA2901	COMPRESSION SPRING	1
4	KM0616	Hex.Soc.Hd.Bolt (M6 x1.0-16L)	1	29	SA0401	Cylinder	1	54	SA3001	SPRING	1
5	KM0625	Hex.Soc.Hd.Bolt (M6 x1.0-25L)	4	30	SA0501	Check Seal	1	55	SA3101	SAFETY GUIDE	2
6	KM0630	Hex.Soc.Hd.Bolt (M6 x1.0-30L)	1	31	SA0601	Bumper A	1	56	SA3201	CONTACT LEVER	1
7	KM0830	Hex.Soc.Hd.Bolt(M8 x1.25-30L)	4	32	SA0701	Bumper B	1	57	SA3301	TRIGGER	1
8	KR0306	Button Hd.Bolt (M3 x0.5-6L)	1	33	SA0801	Piston Stop	1	58	SA3401	SPRING SEAT	1
9	KS3016	Spring Pin (Ø3-16L)	1	34	SA0901	Head Valve Seal	1	59	SA3501	SAFETY	1
10	KS3020	Spring Pin (Ø3-20L)	1	35	SA1001	Head Valve Piston	1	60	SA3701	LATCH	1
11	KS3024	Spring Pin (Ø3-24L)	3	36	SA1101	Main Piston	1	61	SA3801	PUSHER STOP	1
12	OA016A	O-Ring (ARP568-016)	2	37	SA1201	Cap Seal	1	62	SA3901	RING	1
13	OA039A	O-Ring (ARP568-039)	1	38	SA1301	Driver	1	63	SA4001	SUPPORT	1
14	OA126A	O-Ring (ARP568-126)	1	39	SA1401	Pusher	1	64	SA4201	SCREW	2
15	OA148A	O-Ring (ARP568-148)	1	40	SA1501	Nose	1	65	SA4401	GROMMET	1
16	OB032A	O-Ring (2.5 x1.4)	2	41	SA1601	Dust Shield	2	66	SA4501	SEAL	1
17	OB521A	O-Ring (51.5 x8.1)	1	42	SA1701	Pusher Spring	1	67	SD0601	NAIL GUIDE	1
18	OB522A	O-Ring (52 x6.35)	1	43	SA1801	Roller	1	68	YG0601	SPRING WASHER (Ø6)	5
19	OB691A	O-Ring (68.5 x2.95)	2	44	SA2001	Latch Bushing	1	69	YL0407	LOCK NUT (M4 x0.7)	1
20	OP006A	O-Ring (P6)	2	45	SA2101	Roller Pin	1	70	YL0508	LOCK NUT (M5 x0.8)	2
21	OP009A	O-Ring (P9)	1	46	SA2201	Stop Pin	2	71	YL0610	LOCK NUT (M6 x1.0)	4
22	OP020A	O-Ring (P20)	1	47	SA2301	Pilot Valve	1	72	YW0301	FLAT WASHER (Ø3)	1
23	OS004A	O-Ring (S-4)	1	48	SA2401	Trigger Valve Stem	1	73	YW0601	FLAT WASHER (Ø6)	1
24	PA2001	End Cap	1	49	SA2501	Trigger Valve Seat	1				
25	PA3001	Coupling Plug (¼")	1	50	SA2601	Inner Valve Seat	1				