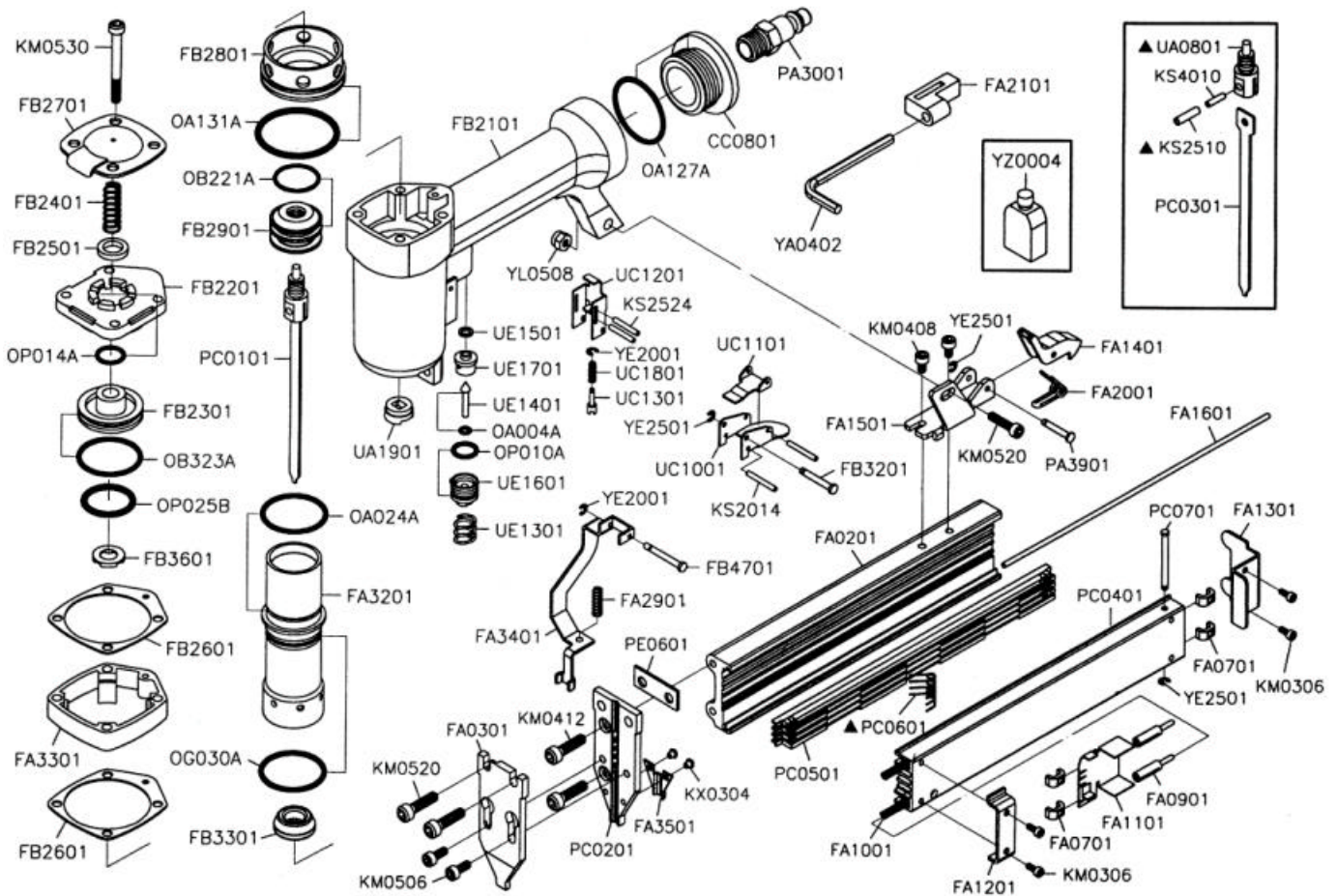


吉生 GISON

GP-P18/32 Medium-Duty Pinner



PARTS LIST

⚙️ : Consuming Part

Item No.	Part No.	Description	Qty.	Item No.	Part No.	Description	Qty.	Item No.	Part No.	Description	Qty.
1	CC0801	End Cap	1	28	FB2901	Main Piston	1	55	PA3901	LATCH PIN	1
2	FA0201	Magazine Cap	1	29	FB3201	Trigger Pin	1	56	PC0101	DRIVER ASSY.	1
3	FA0301	Cover Plate	1	30	FB3301	Bumper	1	57	PC0201	GUIDE PLATE	1
4	FA0701	Stopper	4	31	FB3601	Piston Stop	1	58	PC0301	DRIVER	1
5	FA0901	Pusher Pin	2	32	FB4701	Safety Pin	1	59	PC0401	MANAZINR CAP	1
6	FA1001	Pusher Spring	2	33	KM0306	Hex. Soc.Hd.Bolt (M3 x0.5-6L)	4	60	PC0501	FIXED PLATE	4
7	FA1101	Pusher	1	34	KM0408	Hex. Soc.Hd.Bolt (M4 x0.7-8L)	2	61	PC0601	SPRING	4
8	FA1201	Pusher Stop	1	35	KM0412	Hex. Soc.Hd.Bolt (M4 x0.7-12L)	2	62	PC0701	PIN	1
9	FA1301	Stop Plate	1	36	KM0506	Hex. Soc.Hd.Bolt (M5 x0.8-6L)	2	63	PE0601	SPACER	1
10	FA1401	Latch	1	37	KM0520	Hex. Soc.Hd.Bolt (M5 x0.8-20L)	3	64	UA0801	STEM	1
11	FA1501	Support	1	38	KM0530	Hex. Soc.Hd.Bolt (M5 x0.8-30L)	4	65	UA1901	NOZZLE	1
12	FA1601	Bar	1	39	KS2014	Spring Pin (Ø2-14L)	2	66	UC1001	TRIGGER	1
13	FA2001	Latch Spring	1	40	KS2510	Spring Pin (Ø2.5-10L)	1	67	UC1101	CONTACT LEVER	1
14	FA2101	Wrench Set	1	41	KS2524	Spring Pin (Ø2.5-24L)	2	68	UC1201	SAFETY SET	1
15	FA2901	Spring	1	42	KS4010	Spring Pin (Ø4-10L)	1	69	UC1301	SHAFT	1
16	FA3201	Cylinder	1	43	KX0304	Cap Hd.Bolt (M3 x0.5-4L)	2	70	UC1801	SPRING	1
17	FA3301	Cap	1	44	OA004A	O-Ring (1.8x1.8)	1	71	UE1301	COMPRESSION SPRING	1
18	FA3401	Safety	1	45	OA024A	O-Ring (ARP568-024)	1	72	UE1401	TRIGGER VALVE STEM	1
19	FA3501	Safety Guide	1	46	OA127A	O-Ring (ARP568-127)	1	73	UE1501	SEAL	1
20	FB2101	Body	1	47	OA131A	O-Ring (ARP568-131)	1	74	UE1601	TRIGGER VALVE GUIDE	1
21	FB2201	Cylinder Cap	1	48	OB221A	O-Ring (22 x8)	1	75	UE1701	TRIGGER VALVE SEAT	1
22	FB2301	Head Valve Piston	1	49	OB323A	O-Ring (31.8x2.4)	1	76	YA0402	HEX.BAR WRENCH (D4)	1
23	FB2401	Compression Spring	1	50	OG030A	O-Ring (G30)	1	77	YE2001	E-RING (Ø2)	2
24	FB2501	Seal	1	51	OP101A	O-Ring (P10)	1	78	YE2501	E-RING (Ø2.5)	3
25	FB2601	Cap Seal	2	52	OP014A	O-Ring (P14)	1	79	YL0508	LOCK NUT (M5 x0.8)	1
26	FB2701	Exhaust Cap	1	53	OP025B	O-Ring (1B)(P25)	1	80	YZ0004	OIL BOX	1
27	FB2801	Collar	1	54	PA3001	Coupling Plug	1				