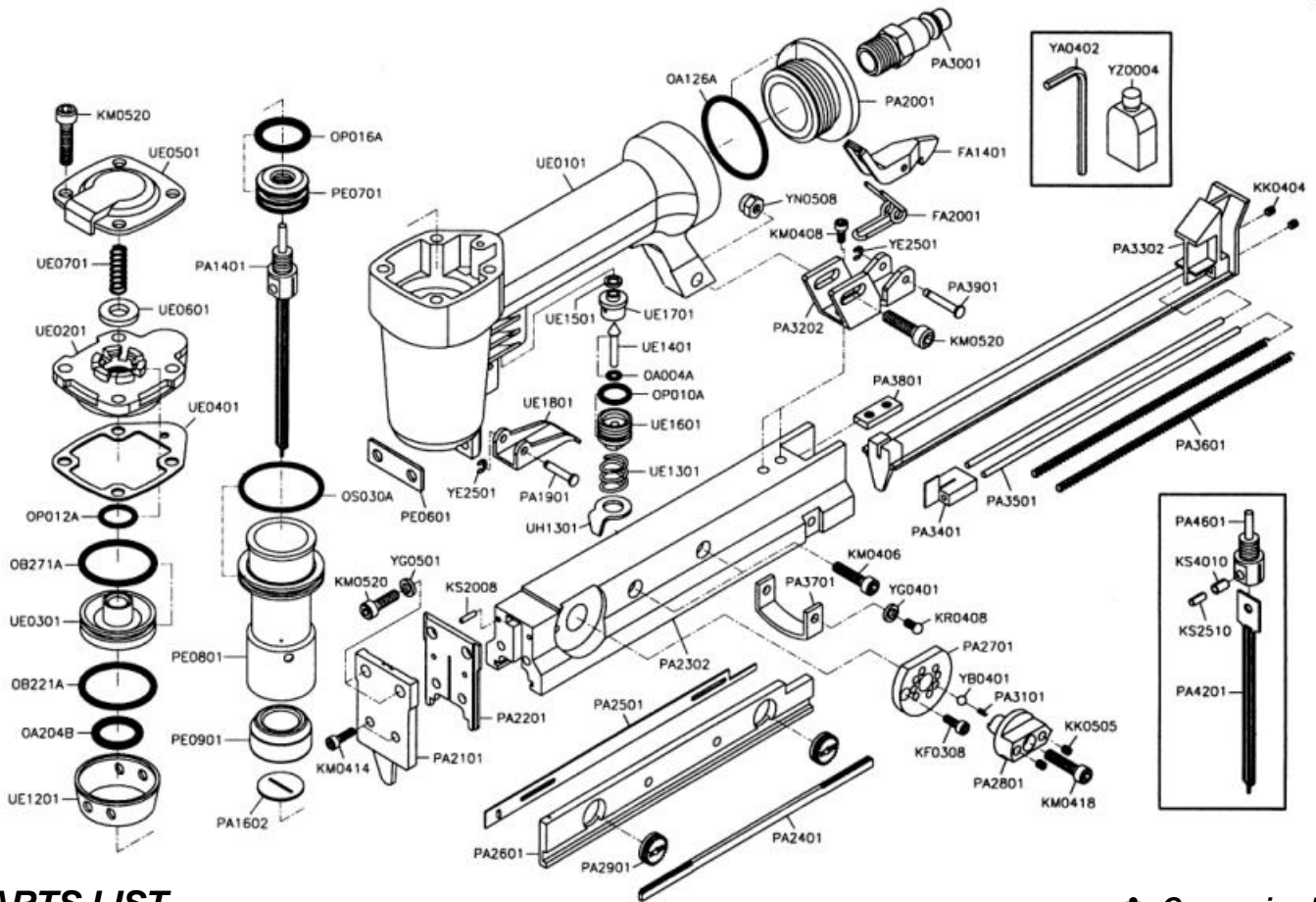


吉生 GISON

GP-P0.6/20 Extra Fine Headless Pinner



PARTS LIST

✿ : Consuming Part

Item No.	Part No.	Description	Qty.	Item No.	Part No.	Description	Qty.	Item No.	Part No.	Description	Qty.
1	FA1401	Latch	1	26	PA1901	Trigger Pin	1	51	PE0801	Cylinder	1
2	FA2001	Latch Spring	1	27	PA2001	End Cap	1	52	PE0901	Bumper	1
3	KF0308	Flat Hd.Screw (M3 x0.5-8L)	1	28	PA2101	Cover Plate	1	53	UE0101	Body	1
4	KK0404	Hex.Soc.Hd.Bolt (M4 x0.7-4L)	2	29	PA2201	Guide Plate	1	54	UE0201	Cylinder Cap	1
5	KK0505	Hex.Soc.Hd.Screw(M5 x0.8-5L)	2	30	PA2302	Magazine Cap	1	55	UE0301	Head Valve Piston	1
6	KM0406	Hex.Soc.Hd.Bolt (M4 x0.7-6L)	2	31	PA2401	Gear Pack	1	56	UE0401	Cap Seal	1
7	KM0408	Hex.Soc.Hd.Bolt (M4 x0.7-8L)	1	32	PA2501	Adjustable Plate	1	57	UE0501	Exhaust Cap	1
8	KM0414	Hex.Soc.Hd.Bolt (M4 x0.7-14L)	2	33	PA2601	Adjustable Seat	1	58	UE0601	Piston Stop	1
9	KM0418	Hex.Soc.Hd.Bolt (M4 x0.7-18L)	1	34	PA2701	Fixed Roller	1	59	UE0701	Compression Spring	1
10	KM0520	Hex.Soc.Hd.Bolt (M5 x0.8-20L)	7	35	PA2801	Adjustable Roller	1	60	UE1201	Collar	1
11	KR0408	Botton Hd.Bolt (M4 x0.7-8L)	2	36	PA2901	Gearwheel	2	61	UE1301	Compression Spring	1
12	KS2008	Spring Pin (Ø2-8L)	2	37	PA3001	Coupling Plug (1/4")	1	62	UE1401	Trigger Valve Stem	1
13	KS2510	Spring Pin (Ø2.5-10L)	1	38	PA3101	Spring	2	63	UE1501	Seal	1
14	KS4010	Spring Pin (Ø4-10L)	1	39	PA3202	Support	1	64	UE1601	Trigger Valve Guide	1
15	OA004A	O-Ring (1.8x1.8)	1	40	PA3302	Magazine Assy.	1	65	UE1701	Trigger Valve Seat	1
16	OA126A	O-Ring (ARP568-126)	1	41	PA3401	Pusher	1	66	UE1801	Trigger	1
17	OA204B	O-Ring (1B)(ARP568-204)	1	42	PA3501	Guide Stem	2	67	UH1301	Trigger Stop	1
18	OB221A	O-Ring (1A)(22 x8)	1	43	PA3601	Pusher Spring	2	68	YA0402	Hex.Bar Wrench (D4)	1
19	OB271A	O-Ring (26.8 x2.4)	1	44	PA3701	Magazine Retainer	1	69	YB0401	Steel Ball (Ø4)	2
20	OP010A	O-Ring (P10)	1	45	PA3801	Fixed Block	1	70	YE2501	E-Ring (Ø2.5)	2
21	OP012A	O-Ring (P12)	1	46	PA3901	Latch Pin	1	71	YG0401	Spring Washer (Ø4)	2
22	OP016A	O-Ring (P16)	1	47	PA4201	Driver	1	72	YG0501	Spring Washer (Ø5)	2
23	OS030A	O-Ring (S30)	1	48	PA4601	Stem	1	73	YN0508	Hex.Nut (M5 x0.8)	1
24	PA1401	Driver Assy.	1	49	PE0601	Spacer	1	74	YZ0004	Oil Box	1
25	PA1602	Nozzle	1	50	PE0701	Main Piston	1				