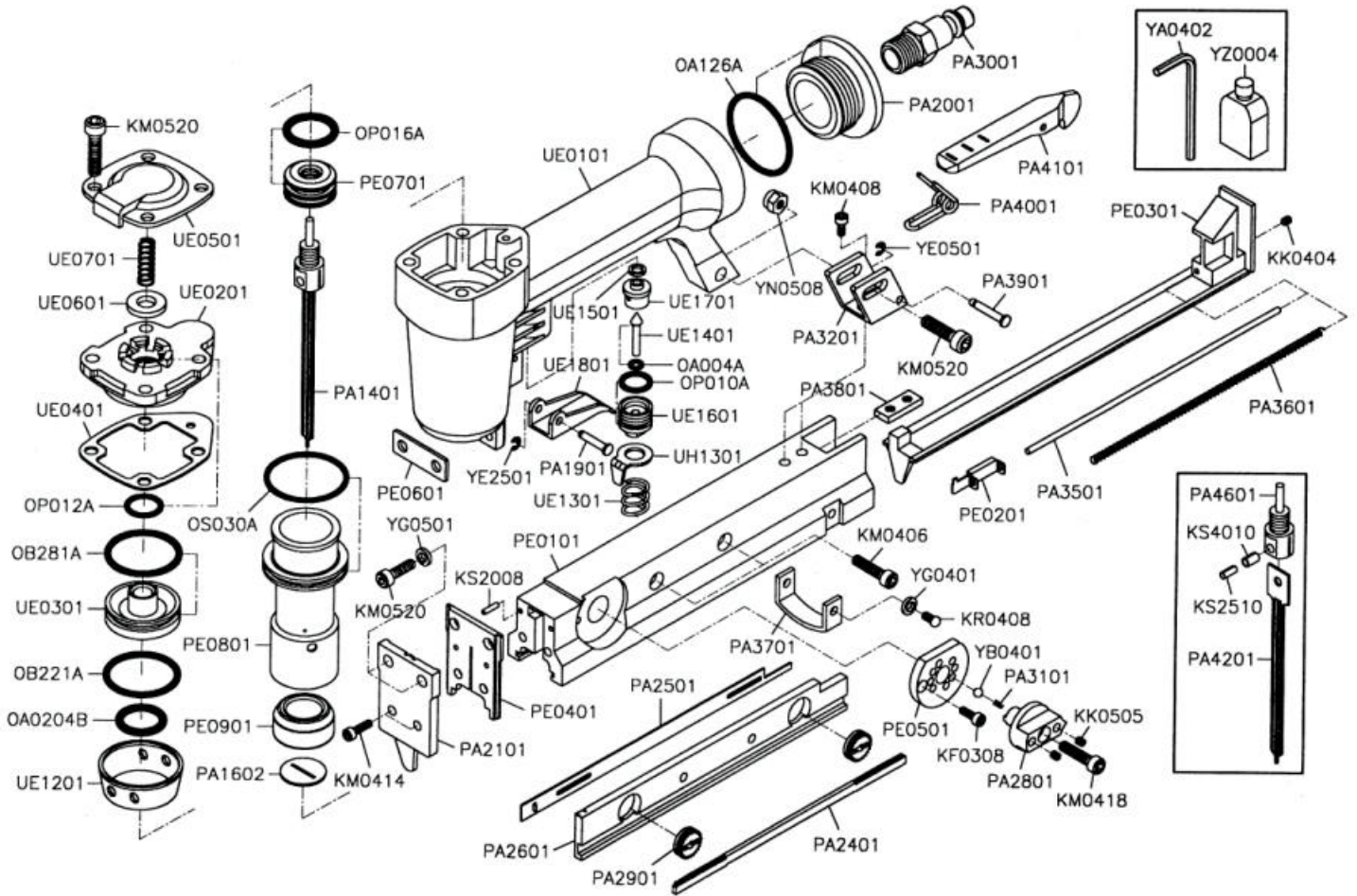


# 吉生 GISON

## GP-P0.6/15 Extra Fine Headless Pinner



### PARTS LIST

☆ : Consuming Part

Item No.	Part No.	Description	Qty.	Item No.	Part No.	Description	Qty.	Item No.	Part No.	Description	Qty.
1	KF0308	Flat Hd.Screw (M3 x0.5-8L)	1	26	PA2101	Cover Plate	1	51	PE0801	Cylinder	1
2	KK0404	Hex.Soc.Hd.Bolt (M4 x0.7-4L)	2	27	PA2401	Gear Rack	1	52	PE0901	Bumper	1
3	KK0505	Hex.Soc.Hd.Bolt (M5 x0.8-5L)	2	28	PA2501	Adjustable Plate	1	53	UE0101	Body	1
4	KM0406	Hex.Soc.Hd.Bolt (M4 x0.7-6L)	2	29	PA2601	Adjustable Seat	1	54	UE0201	Cylinder Cap	1
5	KM0408	Hex.Soc.Hd.Bolt (M4 x0.7-8L)	1	30	PA2801	Adjustable Roller	1	55	UE0301	Head Valve Piston	1
6	KM0414	Hex.Soc.Hd.Bolt (M4 x0.7-14L)	2	31	PA2901	Gearwheel	2	56	UE0401	Cap Seal	1
7	KM0418	Hex.Soc.Hd.Bolt (M4 x0.7-18L)	1	32	PA3001	Coupling Plug (1/4")	1	57	UE0501	Exhaust Cap	1
8	KM0520	Hex.Soc.Hd.Bolt (M5 x0.8-20L)	7	33	PA3101	Spring	2	58	UE0601	Piston Stop	1
9	KR0408	Button Hd.Bolt (M4 x0.7-8L)	2	34	PA3201	Support	1	59	UE0701	Compression Spring	1
10	KS2008	Spring Pin (Ø2-8L)	2	35	PA3501	Guide Stem	2	60	UE1201	Collar	1
11	KS2510	Spring Pin (Ø2.5-10L)	1	36	PA3601	Pusher Spring	2	61	UE1301	Compression Spring	1
12	KS4010	Spring Pin (Ø4-10L)	1	37	PA3701	Magazine Retainer	1	62	UE1401	Trigger Valve Stem	1
13	OA004A	O-Ring (1.8 x1.8)	1	38	PA3801	Fixed Block	1	63	UE1501	Seal	1
14	OA126A	Spring Pin (ARP568-126)	1	39	PA3901	Latch Pin	1	64	UE1601	Trigger Valve Guide	1
15	OA204B	Spring Pin (ARP568-204)	1	40	PA4001	Latch Spring	1	65	UE1701	Trigger Valve Seat	1
16	OB221A	Spring Pin (1A)(22 x8)	1	41	PA4101	Latch	1	66	UE1801	Trigger	1
17	OB271A	O-Ring (26.8 x2.4)	1	42	PA4201	Driver	1	67	UH1301	Trigger Stop	1
18	OP010A	O-Ring (P10)	1	43	PA4601	Stem	1	68	YA0402	Hex.Bar Wrench (D4)	1
19	OP012A	O-Ring (P12)	1	44	PE0101	Magazine Cap	1	69	YB0401	Steel Ball (Ø4)	2
20	OP016A	O-Ring (P16)	1	45	PE0201	Pusher	1	70	YE2501	E-Ring (Ø2.5)	2
21	OS030A	O-Ring (S30)	1	46	PE0301	Magazine Assy.	1	71	YG0401	Spring Washer (Ø4)	2
22	PA1401	Driver Assy.	1	47	PE0401	Guide Plate	1	72	YG0501	Spring Washer (Ø5)	2
23	PA1602	Nozzle	1	48	PE0501	Fixed Roller	1	73	YN0508	Hex.Nut (M5 x0.8)	1
24	PA1901	Trigger Pin	1	49	PE0601	Spacer	1	74	YZ0004	Oil Box	1
25	PA2001	End Cap	1	50	PE0701	Main Piston	1				