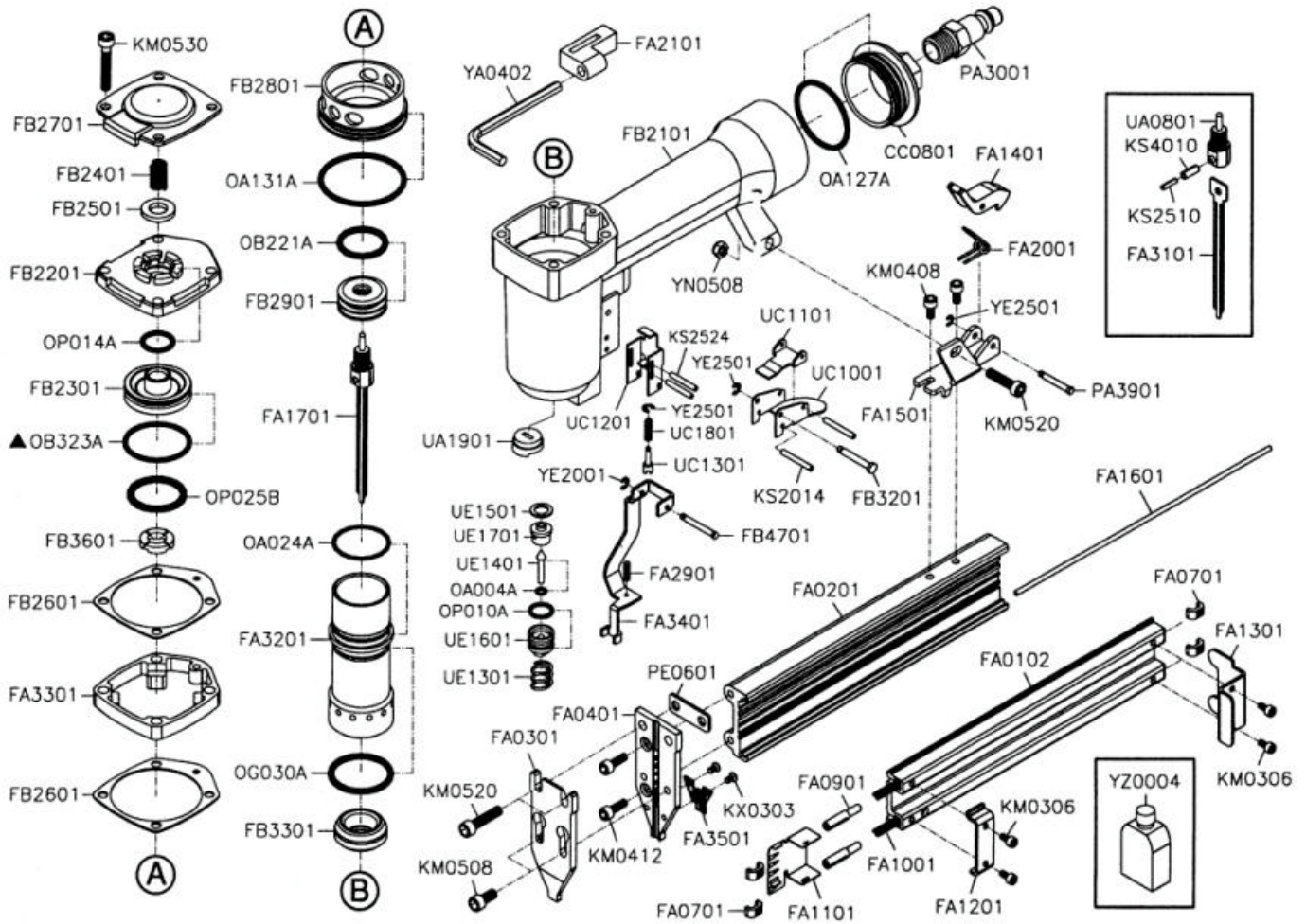


吉生 GISON

GP-F18/32 Medium Wire Finish Nailer



PARTSLIST

✳ : Consuming Part

Item No.	Part No.	Description	Qty.	Item No.	Part No.	Description	Qty.	Item No.	Part No.	Description	Qty.
1	CC0801	End Cap	1	27	FB2401	Compression Spring	1	53	OB323A	O-Ring (32.8x2.4)	1
2	FA0102	Magazine Cap	1	28	FB2501	Seal	1	54	OG030A	O-Ring (G30)	1
3	FA0201	Magazine Seat	1	29	FB2601	Cap Seal	2	55	OP010A	O-Ring (P10)	1
4	FA0301	Cover Plate	1	30	FB2701	Exhaust Cap	1	56	OP014A	O-Ring (P14)	1
5	FA0401	Guide Plate	1	31	FB2801	Collar	1	57	OP025B	O-Ring (1B)(P25)	1
6	FA0701	Stopper	4	32	FB2901	Main Piston	1	58	PA3001	Coupling Plug (1/4")	1
7	FA0901	Pusher Pin	2	33	FB3201	Trigger Pin	1	59	PA3901	Latch Pin	1
8	FA1001	Pusher Spring	2	34	FB3301	Bumper	1	60	PE0601	Spacer	1
9	FA1101	Pusher	1	35	FB3601	Piston Stop	1	61	UA0801	Stem	1
10	FA1201	Pusher Stop	1	36	FB4701	Safety Pin	1	62	UA1901	Nozzle	1
11	FA1301	Stop Plate	1	37	KM0306	Hex.Soc.Hd.Bolt (M3x0.5-6L)	4	63	UC1001	Trigger	1
12	FA1401	Latch	1	38	KM0408	Hex.Soc.Hd.Bolt (M4x0.7-8L)	2	64	UC1101	Contact Lever	1
13	FA1501	Support	1	39	KM0412	Hex.Soc.Hd.Bolt (M4x0.7-12L)	2	65	UC1201	Safety Set	1
14	FA1601	Bar	1	40	KM0508	Hex.Soc.Hd.Bolt (M5x0.8-8L)	2	66	UC1301	Shaft	1
15	FA1701	Driver Assy.	1	41	KM0520	Hex.Soc.Hd.Bolt (M5x0.8-20L)	3	67	UC1801	Spring	1
16	FA2001	Latch Spring	1	42	KM0530	Hex.Soc.Hd.Bolt (M5x0.8-30L)	4	68	UE1301	Compression Spring	1
17	FA2101	Wrench Set	1	43	KS2014	Spring Pin (Ø2.0x14L)	1	69	UE1401	Trigger Valve Stem	1
18	FA2901	Spring	1	44	KS2510	Spring Pin (Ø2.5x10L)	1	70	UE1501	Seal	1
19	FA3101	Driver	1	45	KS2524	Spring Pin (Ø2.5x24L)	1	71	UE1601	Trigger Valve Guide	1
20	FA3201	Cylinder	1	46	KS4010	Spring Pin (Ø4x10L)	1	72	UE1701	Trigger Valve Seat	1
21	FA3301	Cap	1	47	KX0303	Cap Hd.Bolt (M3x0.5-3L)	1	73	YA0402	Hex.Bar Wrench (D4)	1
22	FA3401	Safety	1	48	OA004A	O-Ring (1.8x1.8)	1	74	YE2001	E-Ring (Ø2.0)	1
23	FA3501	Safety Guide	1	49	OA024A	O-Ring (ARP568-024)	1	75	YE2501	E-Ring (Ø2.5)	3
24	FB2101	Body	1	50	OA127A	O-Ring (ARP568-127)	1	76	YN0508	Hex.Nut (M5x0.8)	1
25	FB2201	Cylinder Cap	1	51	OA131A	O-Ring (ARP568-131)	1	77	YZ0004	Oil Box	1
26	FB2301	Head Valve Piston	1	52	OB221A	O-Ring (22x8)	1				