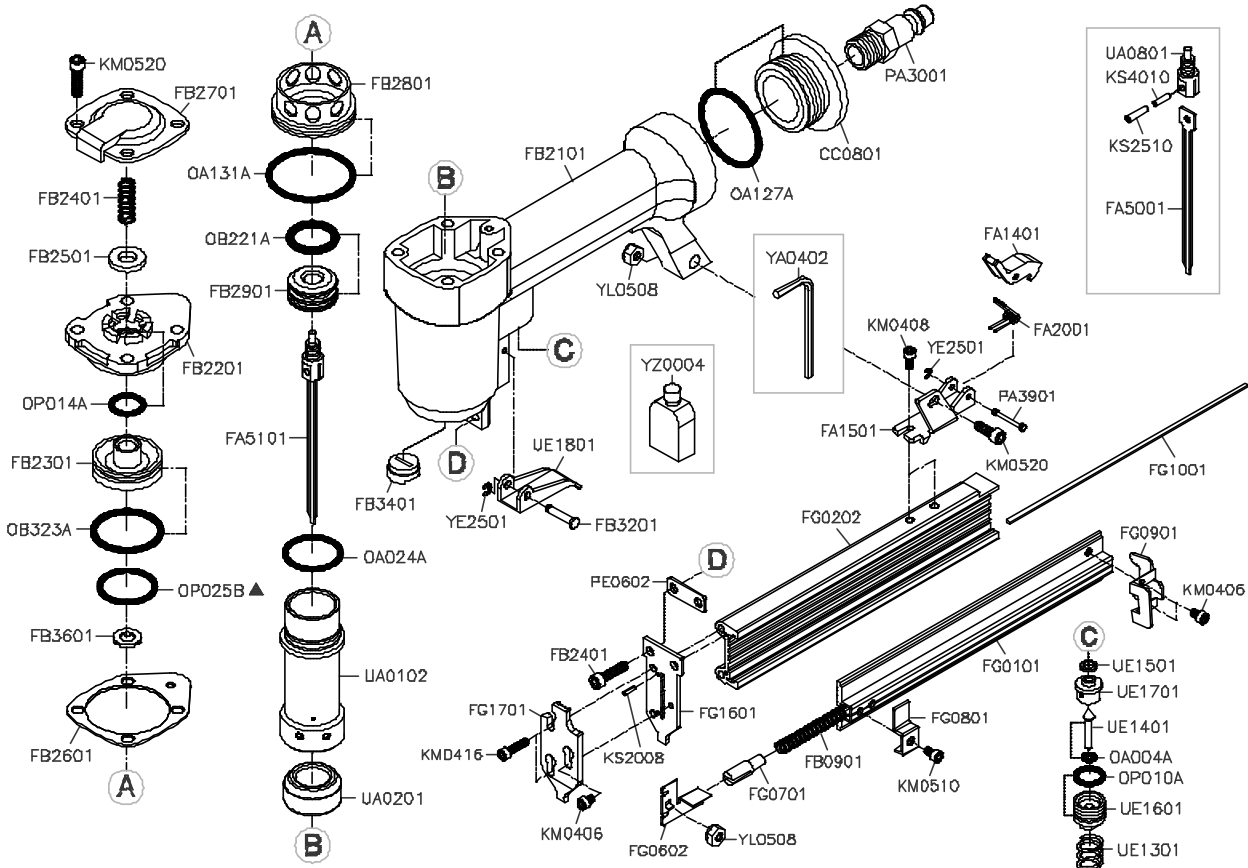


吉生 GISON

GP-F18/30 Medium Wire Finish Nailer



PARTS LIST

✧ :Consuming Part

No.	Part No.	Description	Qty.	No.	Part No.	Description	Qty.
1	CC0801	End Cap	1	32	KM0510	Hex.Soc.Hd.Bolt(M5 x0.8 - 10L)	1
✧ 2	FA1401	Latch	1	33	KM0520	Hex.Soc.Hd.Bolt(M5 x0.8 - 20L)	5
3	FA1501	Support	1	34	KS2008	Spring Pin (2 x8L)	2
4	FA2001	Latch Spring	1	35	KS2510	Spring Pin (2.5 - 10L)	1
5	FA5001	Driver	1	36	KS4010	Spring Pin (4 - 10L)	1
✧ 6	FA5101	Driver Assy.	1	37	OA004A	O-Ring (1.8 x1.8)	1
7	FB0901	Pusher Spring	1	38	OA024A	O-Ring (ARP568 - 024)	1
8	FB2101	Body	1	39	OA127A	O-Ring (ARP568 - 127)	1
9	FB2201	Cylinder Cap	1	40	OA131A	O-Ring (ARP568 - 131)	1
10	FB2301	Head Valve Piston	1	✧ 41	OB221A	O-Ring (22 x8)	1
✧ 11	FB2401	Compression Spring	1	42	OB323A	O-Ring (31.8 x2.4)	1
12	FB2501	Seal	1	43	OP010A	O-Ring (P10)	1
✧ 13	FB2601	Cap Seal	1	44	OP014A	O-Ring (P14)	1
14	FB2701	Exhaust Cap	1	45	OP025B	O-Ring (1B)(P25)	1
15	FB2801	Cylinder Ring	1	46	PA3001	Coupling Plug 1/4"	1
✧ 16	FB2901	Main Piston	1	47	PA3901	Latch Pin	1
17	FB3201	Trigger Pin	1	48	PE0602	Spacer	1
18	FB3401	Nozzle	1	49	UA0102	Cylinder	1
19	FB3601	Piston Stop	1	50	UA0201	Bumper	1
20	FG0101	Magazine Cap	1	51	UA0801	Stem	1
21	FG0202	Magazine Seat	1	✧ 52	UE1301	Compression Spring	1
✧ 22	FG0602	Pusher	1	53	UE1401	Trigger Valve Stem	1
23	FG0701	Pusher Pin	1	54	UE1501	Seal	1
✧ 24	FG0801	Pusher Stop	1	55	UE1601	Trigger Valve Guide	1
✧ 25	FG0901	Stop Plate	1	56	UE1701	Trigger Valve Seat	1
26	FG1001	Bar	1	57	UE1801	Trigger	1
✧ 27	FG1601	Guide Plate	1	58	YAO402	Hex Bar Wrench (D4)	1
28	FG1701	Cover Plate (B)	1	59	YE2501	E-Ring (2.5)	2
29	KM0406	Hex.Soc.Hd.Bolt(M4 x0.7 - 6L)	3	60	YL0508	Lock Nut (M5 x0.8)	2
✧ 30	KM0408	Hex.Soc.Hd.Bolt(M4 x0.7 - 8L)	2	61	YZ0004	Oil Box	1
31	KM0416	Hex.Soc.Hd.Bolt(M4 x0.7 - 16L)	2				