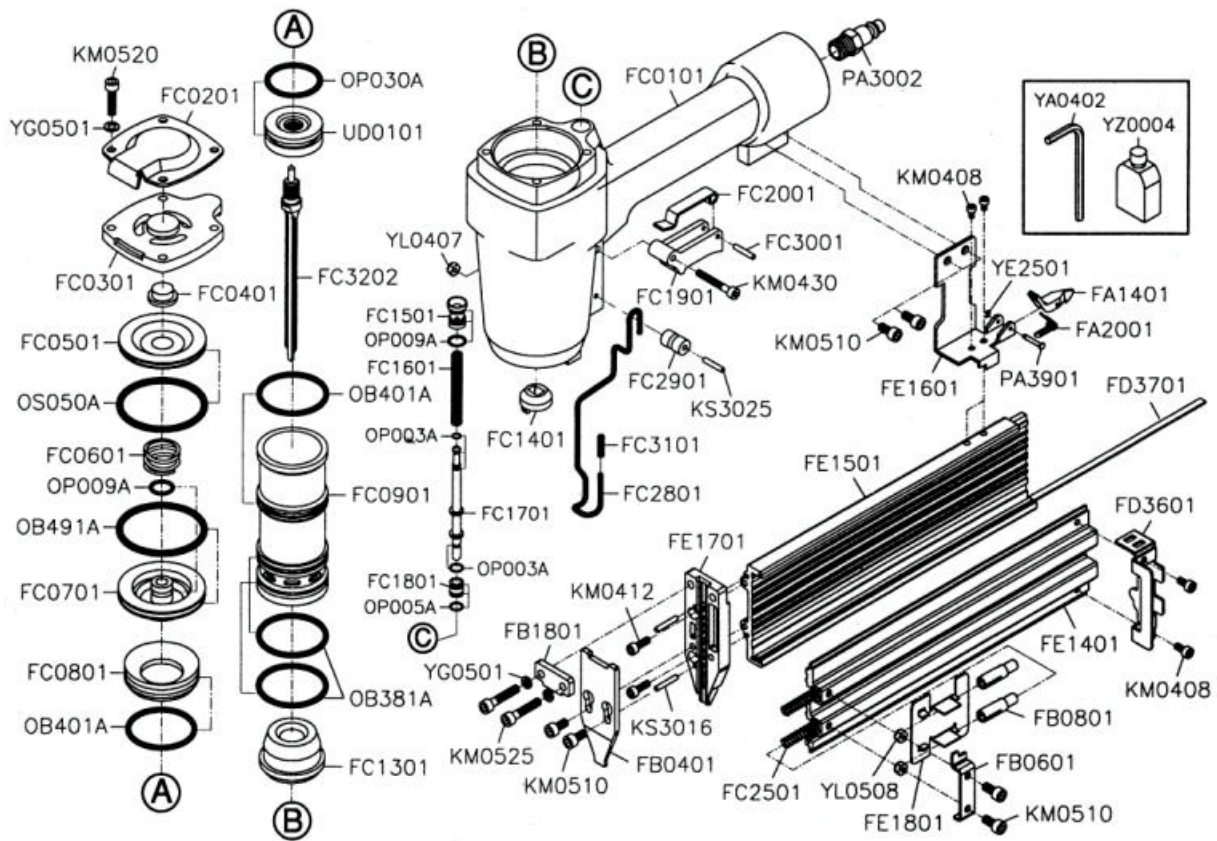


# 吉生 GISON

## GP-F16/64 Medium Wire Finish Nailer



### PARTS LIST

✿ : Consuming Part

Item No.	Part No.	Description	Qty.	Item No.	Part No.	Description	Qty.
1	FA1401	Latch	1	32	FE1401	Magazine Cap	1
2	FA2001	Latch Spring	1	33	FE1501	Magazine Seat	1
3	FB0401	Cover Plate (B)	1	34	FE1601	Support	1
4	FB0601	Pusher Stop	1	35	FE1701	Guide Plate	1
5	FB0801	Pusher Pin	2	36	FE1801	Pusher	1
6	FB1801	Cover Plate (A)	1	37	KM0408	Hex.Soc.Hd.Bolt (M4 x0.7-8L)	4
7	FC0101	Body	1	38	KM0412	Hex.Soc.Hd.Bolt (M4 x0.7-12L)	2
8	FC0201	Exhaust Cap	1	39	KM0430	Hex.Soc.Hd.Bolt (M4 x0.7-30L)	1
9	FC0301	Cylinder Cap	1	40	KM0510	Hex.Soc.Hd.Bolt (M5 x0.8-10L)	6
10	FC0401	Valve Stop	1	41	KM0520	Hex.Soc.Hd.Bolt (M5 x0.8-20L)	4
11	FC0501	Head Valve Cap	1	42	KM0525	Hex.Soc.Hd.Bolt (M5 x0.8-25L)	2
12	FC0601	Compression Spring	1	43	KS3016	Spring Pin (Ø3-16L)	2
13	FC0701	Head Valve Seat	1	44	KS3025	Spring Pin (Ø3-25L)	1
14	FC0801	Cylinder Ring	1	45	OB381A	O-Ring (37.8 x2.5)	2
15	FC0901	Cylinder	1	46	OB401A	O-Ring (39.8 x2.5)	2
16	FC1301	Bumper	1	47	OB491A	O-Ring (49.1 x2.5)	1
17	FC1401	Nozzle	1	48	OP003A	O-Ring (P3)	3
18	FC1501	Trigger Valve Cap	1	49	OP005A	O-Ring (P5)	2
19	FC1601	Spring	1	50	OP009A	O-Ring (P9)	2
20	FC1701	Trigger Valve Stem	1	51	OP030A	O-Ring (P30)	1
21	FC1801	Trigger Valve Seat	1	52	OS050A	O-Ring (S50)	1
22	FC1901	Trigger	1	53	PA3002	Couplin Plug (1/4")	1
23	FC2001	Contact Lever	1	54	PA3901	Latch Pin	1
24	FC2501	Pusher Spring	2	55	UD0101	Main Piston	1
25	FC2801	Safety	1	56	YA0402	Hex Bar Wrench (D4)	1
26	FC2901	Roller	1	57	YE2501	E-Ring (Ø2.5)	1
27	FC3001	Split Pin	1	58	YG0501	Spring Washer (Ø5)	6
28	FC3101	Safety Spring	1	59	YL0407	Hex.Soc.Nut Screw (M4 x0.7)	1
29	FC3202	Drive Assy.	1	60	YL0508	Hwx.Soc.Nut Screw (M5 x0.8)	2
30	FD3601	Stop Plate	1	61	YZ0004	Oil Box	1
31	FD3701	Bar	1				