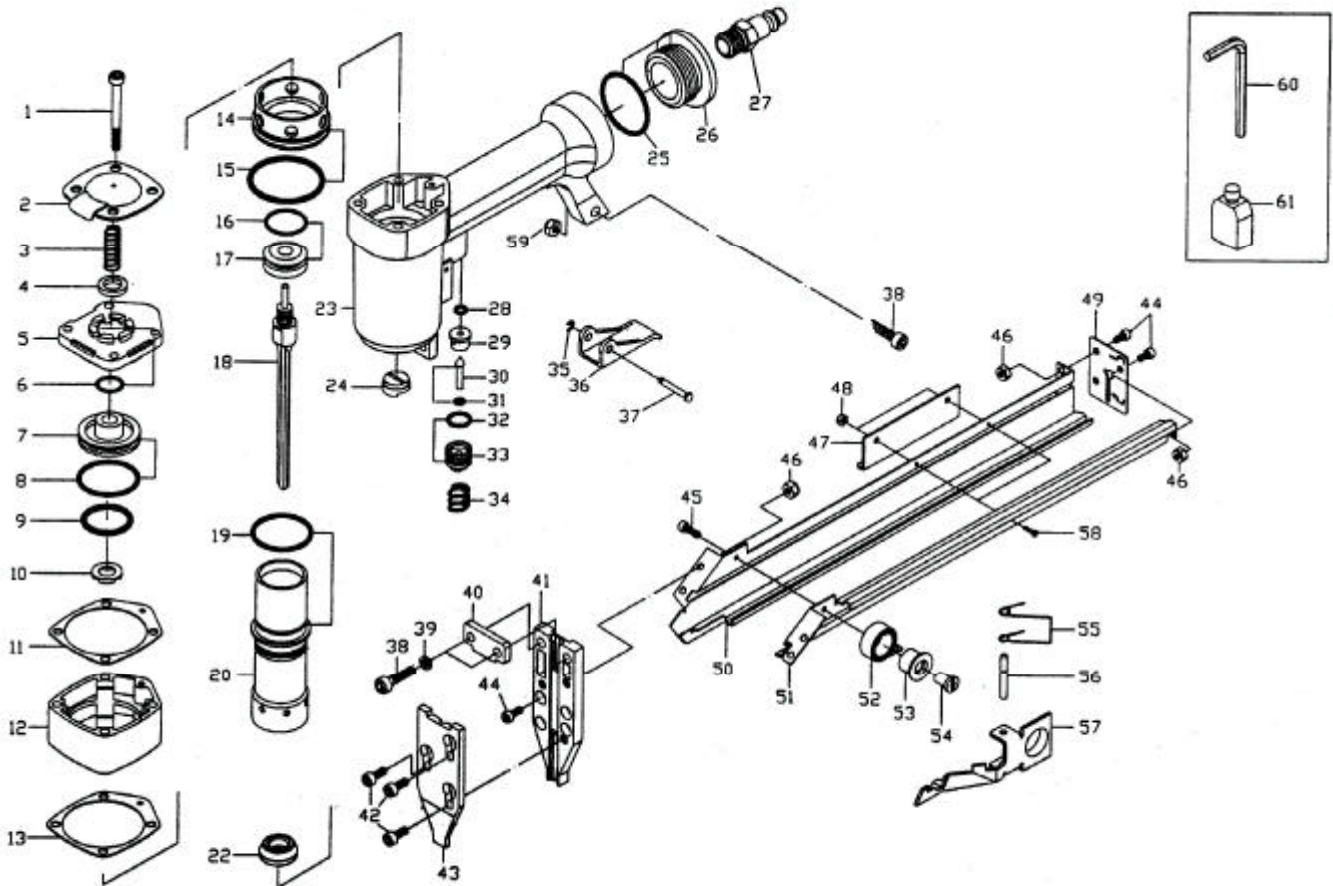


吉生 GISON

GP-DA25 Medium Wire Finish Nailer



PARTS LIST

✦ : Consuming Part

Item No.	Part No.	Description	Qty.	Item No.	Part No.	Description	Qty.
1	KM0550	Hex.Soc.HD.Bolt (M5x0.8-50L)	4	32	OP010A	O-Ring (P10)	1
2	FB2701	Exhaust Cap	1	33	UE1601	Trigger Valve Guide	1
3	FB2401	Compression Spring	1	34	UE1301	Compression Spring	1
4	FB2501	Seal	1	35	YE2501	E-Ring (Ø2.5)	1
5	FB2201	Cylinder Cap	1	36	UE1801	Trigger	1
6	OP014A	O-Ring (P14)	1	37	FB3201	Trigger Pin	1
7	FB2301	Head Valve Piston	1	38	KM0522	Hex.Soc.HD.Bolt (M5x0.8-22L)	2
8	OB323A	O-Ring (31.8x2.4)	1	39	YG0501	Spring Washer (Ø5)	2
9	OP025B	O-Ring (1B) (P25)	1	40	FF0301	Cover Plate (A)	1
10	FB3601	Piston Stop	1	41	FF0201	Guide Plate	1
11	FB2601	Cap Seal	1	42	KM0510	Hex.Soc.HD.Bolt (M5x0.8-10L)	3
12	FB3001	Cap	1	43	FF0401	Cover Plate (B)	1
13	FB2601	Cap Seal	1	44	KM0408	Hex.Soc.HD.Bolt (M4x0.7-8L)	7
14	FB2801	Collar	1	45	KM0412	Hex.Soc.HD.Bolt (M4x0.7-12L)	1
15	OA131A	O-Ring (ARP568-131)	1	46	YL0407	Lock Nut (M4x0.7)	3
16	OB221A	O-Ring (22x3)	1	47	FF1401	Support	1
17	FB2901	Main Piston	1	48	YL0305	Lock Nut (M3x0.7)	2
18	FF0101	One Piese Driver	1	49	FF1301	Plastic Cover	1
19	OA024A	O-Ring (ARP568-024)	1	50	FF0501	Magazine	1
20	FB3101	Cylinder	1	51	FF0601	Magazine Cap	1
22	FB3301	Bumper	1	52	FF0902	Pusher Spring	1
23	FB2102	Body	1	53	FF1001	Roller	1
24	FB3401	Nozzle	1	54	FF1101	Roller Set	1
25	OA127A	O-Ring (ARP568-127)	1	55	FF1201	Spring	1
26	CC0801	End Cap	1	56	FF0801	Roller Pin	1
27	PA3001	Coupling Plug (1/4")	1	57	FF0701	Pusher	1
28	UE1501	Seal	1	58	KM0308	Hex.Soc.HD.Bolt (M3x0.5-8L)	2
29	UE1701	Trigger Valve Seat	1	59	YL0508	Lock Nut (M5x0.8)	1
30	UE1401	Trigger Valve Stem	1	60	YA0402	Hex. Bar Wrench (D4)	1
31	OA004A	O-Ring (1.8x1.8)	1	61	YZ0004	Oil Box	1