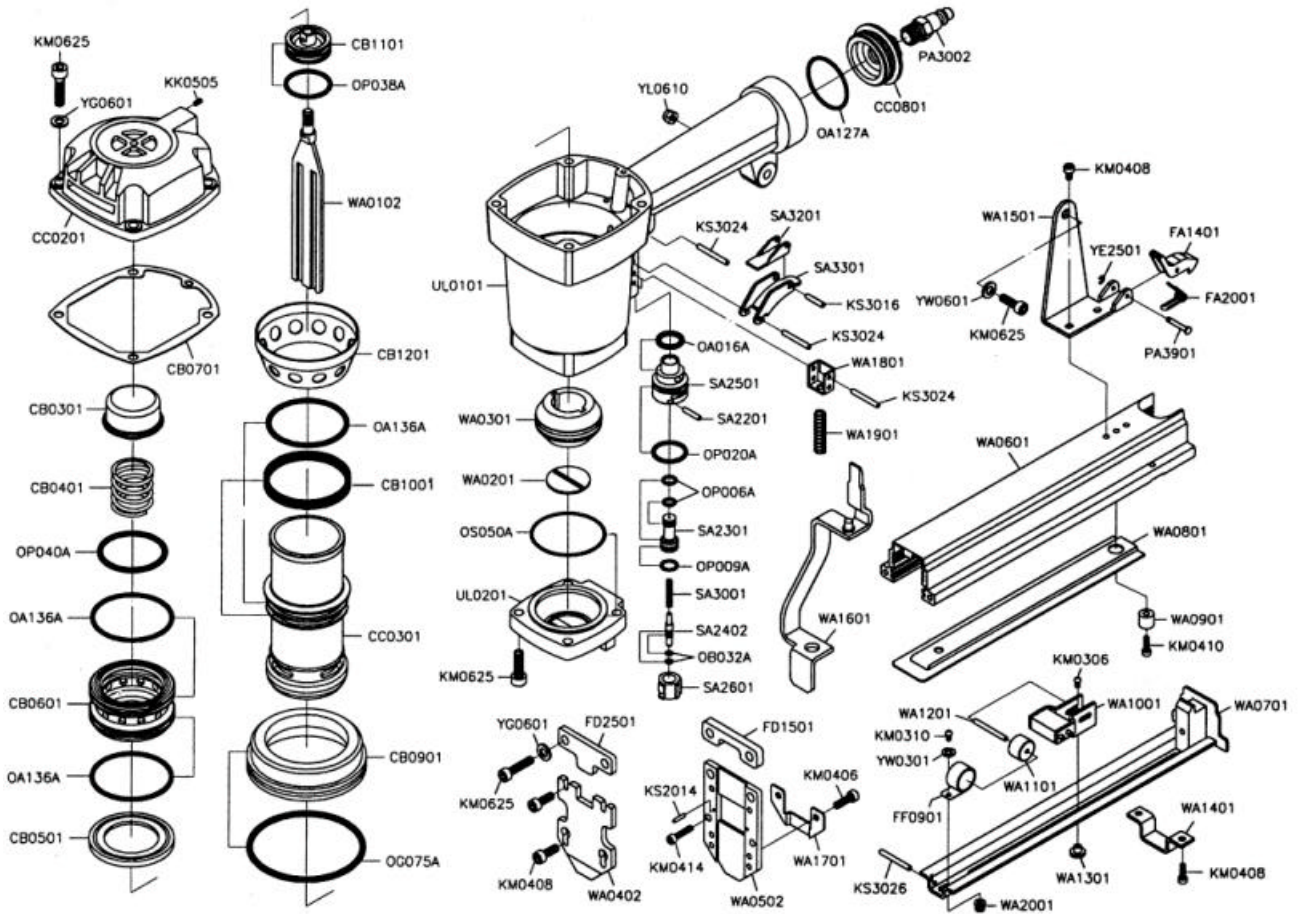


吉生 GISON

GP-CF15S Corrugated Fastener



PARTS LIST

✦ : Consuming Part

Item No.	Part No.	Description	Qty.	Item No.	Part No.	Description	Qty.	Item No.	Part No.	Description	Qty.
1	CB0301	Piston Stop	1	27	KS3016	Spring Pin (Ø3-16L)	1	53	WA0102	Driver	1
2	CB0401	Compression Spring	1	28	KS3024	Spring Pin (Ø3-24L)	4	54	WA0201	Bumper Plate	1
3	CB0501	Head Valve Seal	1	29	KS3026	Spring Pin (Ø3-26L)	1	55	WA0301	Bumper	1
4	CB0601	Head Valve Piston	1	30	OA016A	O-Ring (ARP568-016)	1	56	WA0402	Cover Plate (B)	1
5	CB0701	Cap Seal	1	31	OA127A	O-Ring (ARP568-127)	1	57	WA0502	Guide Plate	1
6	CB0901	Cylinder Ring	1	32	OA136A	O-Ring (ARP568-136)	3	58	WA0601	Magazine Rail	1
7	CB1001	Check Seal	1	33	OB032A	O-Ring (2.5x1.4)	2	59	WA0701	Magazine Assy.	1
8	CB1101	Main Piston	1	34	OG075A	O-Ring (G75)	1	60	WA0801	Lamella Scorrimento	1
9	CB1201	Collar	1	35	OP006A	O-Ring (P6)	2	61	WA0901	Fixed Set	1
10	CC0201	Cylinder Cap	1	36	OP009A	O-Ring (P9)	1	62	WA1001	Pusher	1
11	CC0301	Cylinder	1	37	OP020A	O-Ring (P20)	1	63	WA1101	Roller	1
12	CC0801	End Cap	1	38	OP038A	O-Ring (P38)	1	64	WA1201	Needle Roller	1
13	FA1401	Latch	1	39	OP040A	O-Ring (P40)	1	65	WA1301	Needle Set	1
14	FA2001	Latch Spring	1	40	OS050A	O-Ring (S50)	1	66	WA1401	Magazine Retainer	1
15	FD1501	Spacer	1	41	PA3002	Coupling Plug (1/4")	1	67	WA1501	Support	1
16	FD2501	Cover Plate (A)	1	42	PA3901	Latch Pin	1	68	WA1601	Safety	1
17	FF0901	Pusher Spring	1	43	SA2201	Stop Pin	2	69	WA1701	Safety Guide	1
18	KK0505	Set Screw (M5 x0.8-5L)	1	44	SA2301	Pilot Valve	1	70	WA1801	Safety Guide	1
19	KM0306	Hex.Soc.Hd.Bolt (M3 x0.5-6L)	1	45	SA2402	Trigger Valve Stem	1	71	WA1901	Safety Spring	1
20	KM0310	Hex.Soc.Hd.Bolt (M3 x0.5-10L)	1	46	SA2501	Trigger Valve Seat	1	72	WA2001	Spring Seat	1
21	KM0406	Hex.Soc.Hd.Bolt (M4 x0.7-6L)	2	47	SA2601	Inner Valve Seat	1	73	YE2501	E-Ring (Ø2.5)	1
22	KM0408	Hex.Soc.Hd.Bolt (M4 x0.7-8L)	8	48	SA3001	Spring	1	74	YG0601	Spring Washer (Ø6)	6
23	KM0410	Hex.Soc.Hd.Bolt (M4 x0.7-10L)	1	49	SA3201	Contact Lever	1	75	YL0610	Lock Nut (M6 x1.0)	1
24	KM0414	Hex.Soc.Hd.Bolt (M4 x0.7-14L)	2	50	SA3301	Trigger	1	76	YW0301	Flat Washer (Ø3)	1
25	KM0625	Hex.Soc.Hd.Bolt (M6 x1.0-25L)	11	51	UL0101	Body	1	77	YW0601	Flat Washer (Ø6)	1
26	KS2014	Spring Pin (Ø2-14L)	2	52	UL0201	Bottom Plate Assy.	1				