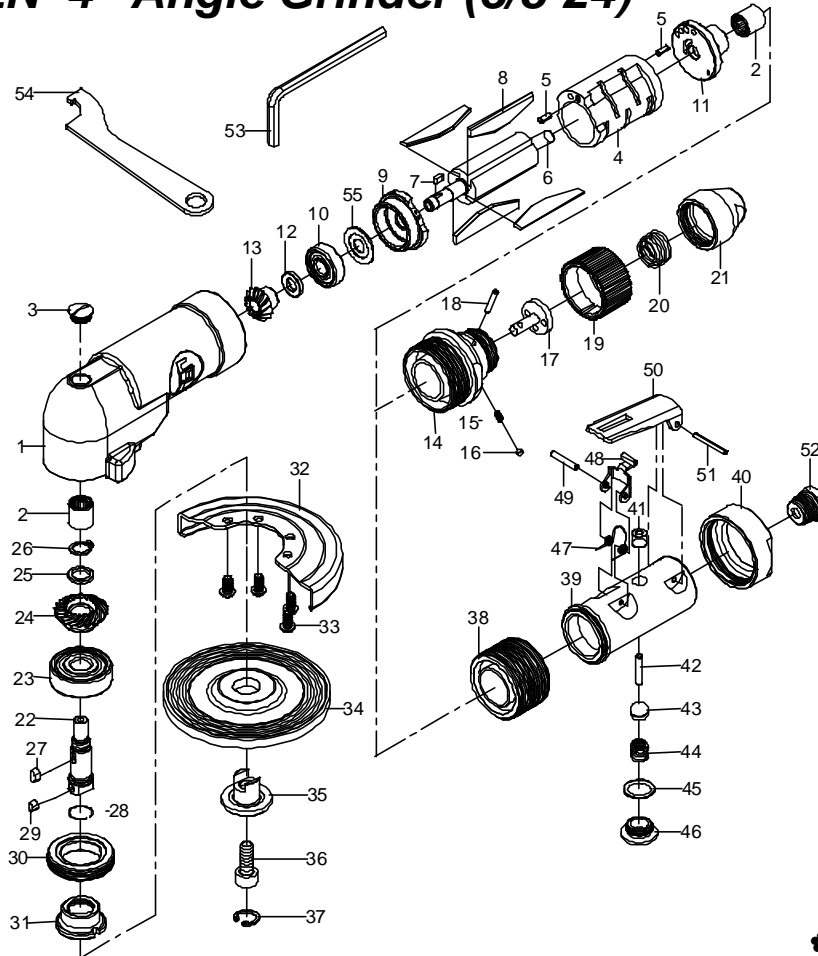


吉生 GISON

GP-971N/LN 4" Angle Grinder (3/8-24)



PARTS LIST

⚙ : Consuming Part

Item No.	Part No.	Description	Qty.	Item No.	Part No.	Description	Qty.
1	97101000	Body	1	29	KC006	Key	1
2	B815	Pin Bearing	2	30	9710406A	Nut	1
3	97101020	Screw	1	31	9710502A	Disc Wheel Nut	1
⚙ 4	97102000	Cylinder	1	32	97105000	Disc Cover	1
5	SP025	Spring Pin	2	33	MC003	Screw	4
6	97102A10	Rotor	1	34	832034	Disc Wheel	1
7	KC002	Key	1	35	9710503A	Stone Flange	1
⚙ 8	97102012	Rotor Blade	4	36	CAP009	Cap Screw	1
9	97102020	Front Plate	1	37	R14	Retaining Ring	1
10	B629ZZ	Ball Bearing	1	38	971A3000	Lock Ring	1
11	97102030	Rear Plate	1	39	971A3010	Handle	1
12	97102040	Washer	1	40	971A3020	Coupling Cup	1
⚙ 13	97102050	Pinion Gear	1	41	971A3011	Valve Bushing	1
14	97103000	Valve Housing	1	42	P017	Pin	1
15	S011	Spring	1	⚙ 43	971A3015	Nylon Ball	1
16	380022	Steel Ball	1	44	S043	Spring	1
⚙ 17	97103020	Throttle Valve	1	45	OR021	O-Ring	1
18	P014	Valve Pin	1	46	971A3013	Valve Screw	1
19	97103040	Valve Ring	1	⚙ 47	S042	Spring	1
20	832038	Coil Spring	1	⚙ 48	971A3040	Safety Trigger	1
21	97103060	Valve Joint	1	49	SP031	Spring Pin	1
22	9710400A	Gear Shaft	1	50	971A303A	Lever	1
23	B6301ZZ	Ball Bearing	1	51	SP032	Spring Pin	1
⚙ 24	97104030	Bevel Gear	1	52	832057	Hose Adaptor	1
25	97104040	Washer	1	53	9710505A	Hex. Spanner	1
26	C10	Retaining Ring	1	54	97105050	Stop spanner	1
27	KC003	Key	1	55	97102060	Washer	1
28	9710504A	C-Ring	1				