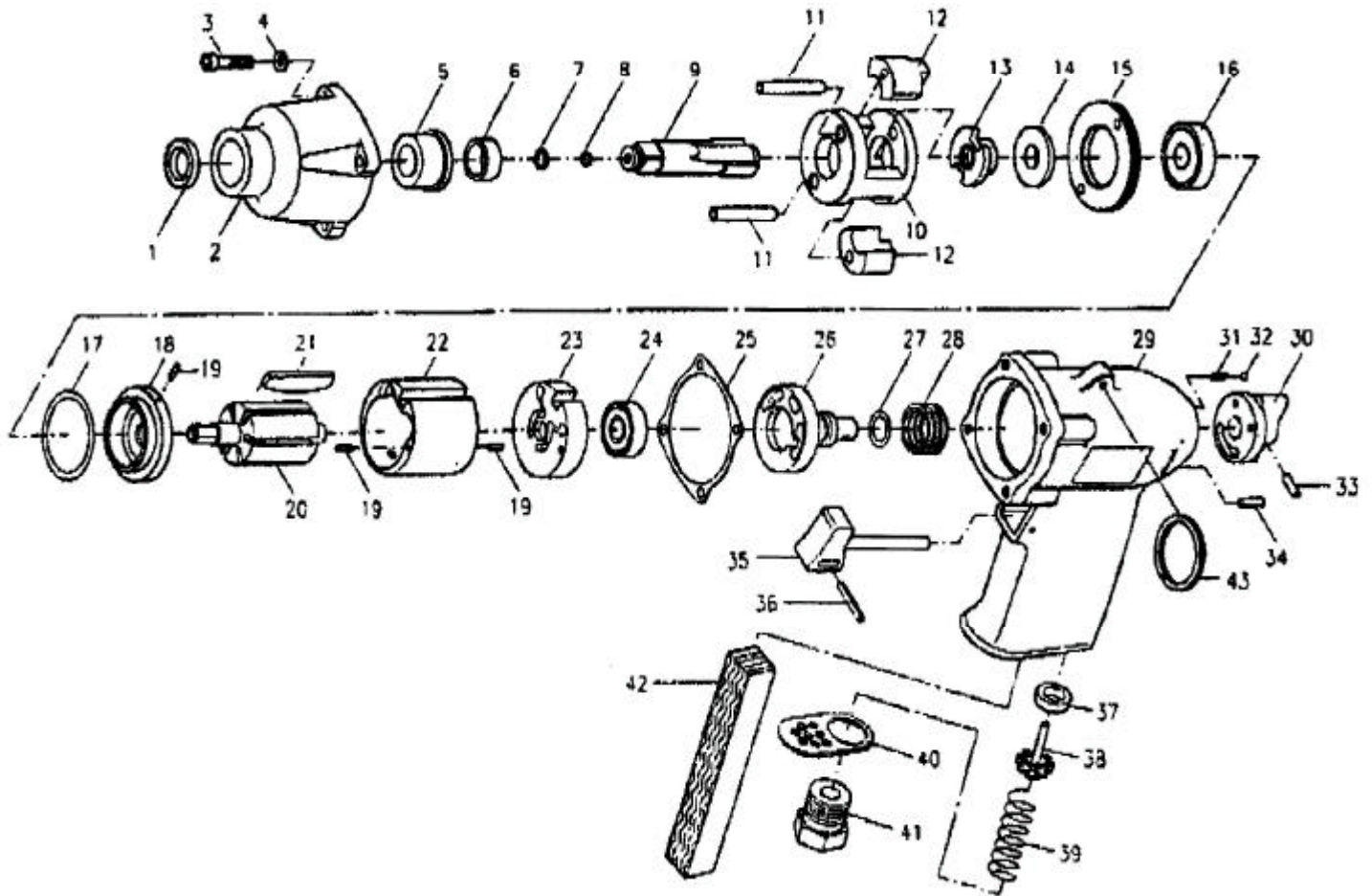


# GISON Pneumatic Tools

## GP-951W 3/8" Mini Impact Wrench



### PARTS LIST

✳ : Consuming Part

Item No.	Part No.	Description	Qty.	Item No.	Part No.	Description	Qty.
1	951W01	Oil Seal	1	22	951W22	Cylinder	1
2	951W02	Hammer Case	1	23	951W23	Rear End Plate	1
3	951W03	Cap Screw	4	24	951W24	Ball Bearing	1
4	951W04	Spring Washer	4	25	951W25	Gasket	1
5	951W05	Anvil Bushing	1	26	951W26	Reverse Valve	1
6	951W06	Spacer	1	27	951W27	O-Ring	1
7	951W07-1	Anvil Collar (1/4" Anvil)	1	28	951W28	Spring	1
	951W07-2	Anvil Collar (3/8" Anvil)		29	951W29	Motor Housing	1
8	951W08-1	O-Ring (1/4" Anvil)	1	30	951W30	Reverse Knob	1
	951W08-2	O-Ring (3/8" Anvil)		31	951W31	Spring	1
9	951W09-1	Anvil	1	32	951W32	Steel Ball	1
	951W09-2	Anvil		33	951W33	Spring Pin	1
10	951W10	Hammer Cage	1	34	951W34	Spring Pin	1
11	951W11	Hammer Pin	2	35	951W35	Trigger	1
12	951W12	Hammer Dog	2	36	951W36	Spring Pin	1
13	951W13	Cam	1	37	951W37	Bushing	1
14	951W14	Rear Washer	1	38	951W38	Valve Stem	1
15	951W15	Clamp Screw	1	39	951W39	Spring	1
16	951W16	Ball Bearing	1	40	951W40	Exhaust Deflector	1
17	951W17	O-Ring	1	41	951W41-1	Air Inlet (1/4" PF)	1
18	951W45	Front End Plate	1		951W41-2	Air Inlet (1/4" PT)	
19	951W19	Spring Pin	3		951W41-3	Air Inlet (1/4" NPT)	
20	951W20	Rotor	1	42	951W42	Muffler	1
21	951W21	Rotor Blade	6	43	951W43	Hanger	1