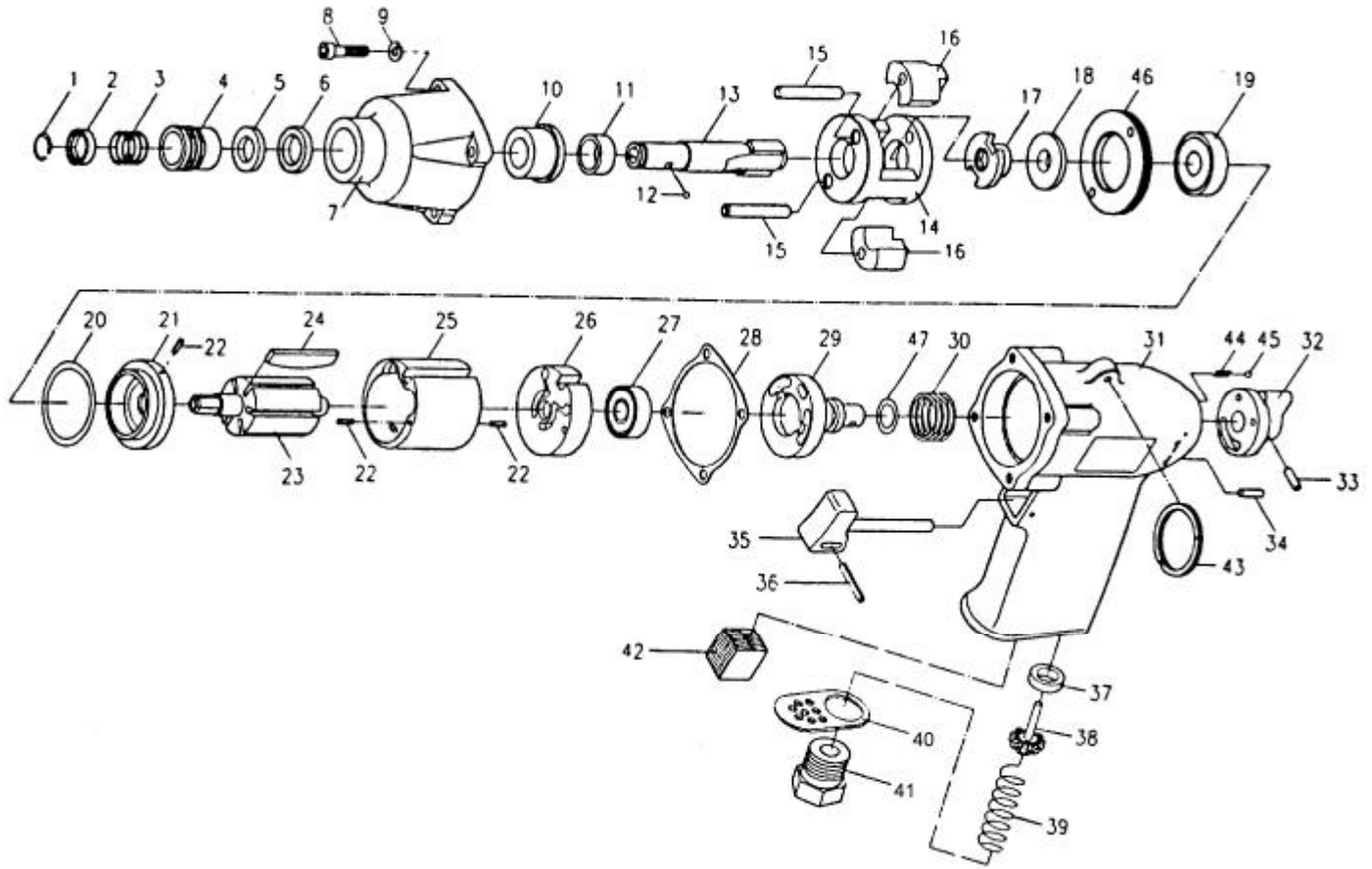


GISON Pneumatic Tools

GP-951 Air Screw Driver



PARTS LIST

✳ : Consuming Part

Item No.	Part No.	Description	Qty.	Item No.	Part No.	Description	Qty.
1	951001	Anvil Collar	1	25	951025	Cylinder	1
2	951002	Holder Spacer	1	26	951026	Rear End Plate	1
3	951003	Spring	1	27	951027	Ball Bearing	1
4	951004	Quick Change Holder	1	28	951028	Gasket	1
5	951005	Washer	1	29	951029	Reverse Valve	1
6	951006	Oil Seal	1	30	951030	Spring	1
7	951007	Hammer Case	1	31	951031	Motor Housing	1
8	951008	Cap Screw	4	32	951032	Reverse Knob	1
9	951009	Spring Washer	4	33	951033	Spring Pin	1
10	951010	Anvil Bushing	1	34	951034	Spring Pin	1
11	951011	Spacer	1	35	951035	Trigger	1
12	951012	Steel Ball	1	36	951036	Spring Pin	1
13	951013	Anvil	1	37	951037	Bushing	1
14	951014	Hammer Cage	1	38	951038	Valve Stem	1
15	951015	Hammer Pin	2	39	951039	Spring	1
16	951016	Hammer Dog	2	40	951040	Exhaust Deflector	1
17	951017	Cam	1	41	951041	Air Inlet (1/4" PT)	1
18	951018	Rear Washer	1	42	951042	Muffler	1
19	951019	Ball Bearing	1	43	951043	Hanger	1
20	951020	O-Ring	1	44	951044	Spring	1
21	951021	Front End Plate	1	45	951045	Steel Ball	1
22	951022	Spring Pin	3	46	951046	Clamp Screw	1
23	951023	Rotor	1	47	951047	O-Ring	1
24	951024	Rotor Blade	6				