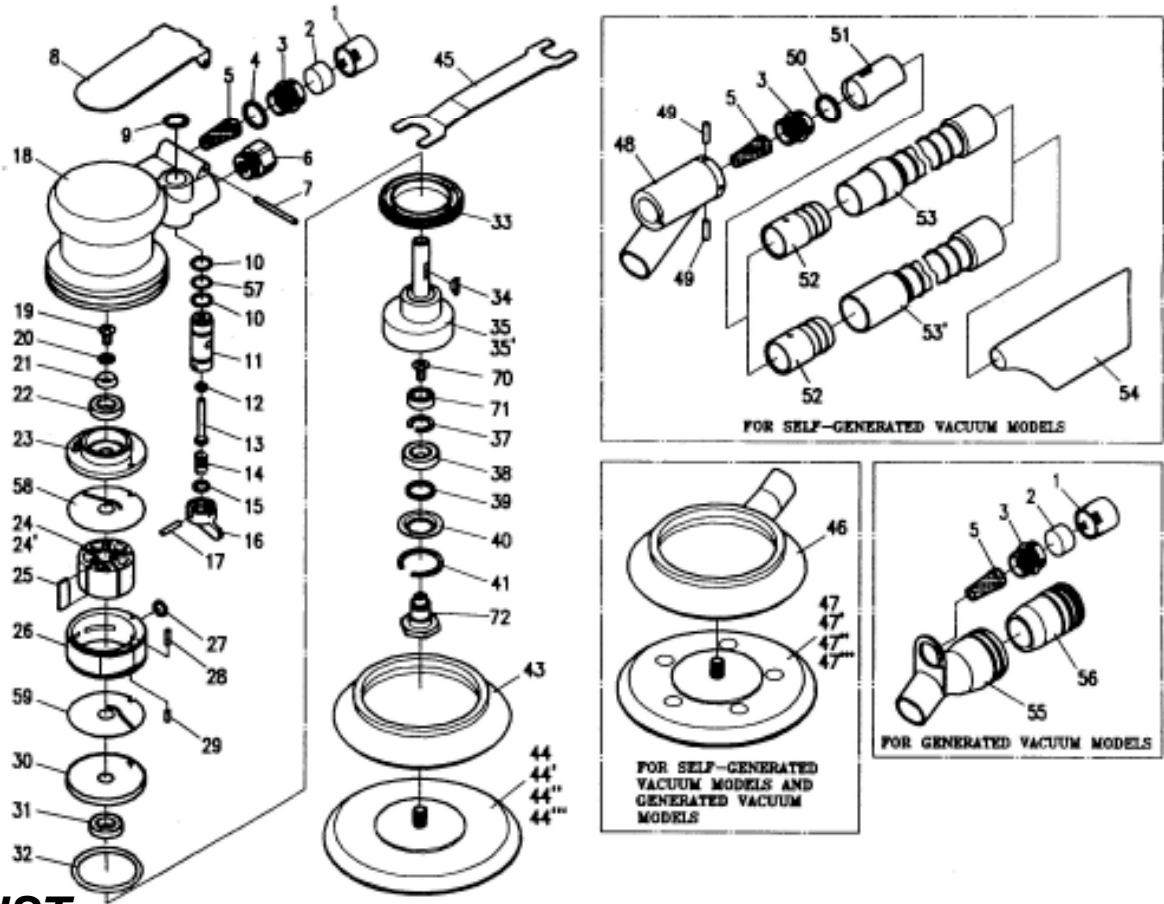




# GISON Pneumatic Tools

## GP-937SG / 937NV / 937CV 5"/6" Sander



### PARTS LIST

✿ : Consuming Part

No.	Part No.	Description	Qty.	No.	Part No.	Description	Qty.
01	937SG01	Cover	1	35	937SG35	Motor Shaft Balancer (5" Pad)	1
02	937SG02	Felt	1	35'	937SG35'	Motor Shaft Balancer (6" Pad)	1
03	937SG03	Muffler Body	1	37	937SG37	Snap Ring (S12)	1
04	937SG04	O-Ring (∅15x∅1.5)	1	38	937SG38	Ball Bearing (60012RS)	1
05	937SG05	Cone Muffler	1	39	937SG39	Felt Ring	1
06	937SG06	Inlet Bushing	1	40	937SG40	Bearing Shield	1
07	937SG07	Spring Pin (∅3x40)	1	41	937SG41	Snap Ring (NR28)	1
08	937SG08	Lever	1	43	937SG43	Shroud (Non-VAC)	1
09	937SG09	Snap Ring (S12)	1	44	937SG44	5" NV Vinyl Face Pad	1
10	937SG10	O-Ring (∅10x∅1.5)	2	44'	937SG44'	5" NV Hook Face Pad	
11	937SG11	Regulator	1	44"	937SG44"	6" NV Vinyl Face Pad	
12	937SG12	O-Ring (∅4x∅1.5)	1	44'''	937SG44'''	6" NV Hook Face Pad	1
13	937SG13	Valve Stem	1	45	937SG45	Stop Spanner	
14	937SG14	Spring	1	46	937SG46	Shroud (Dust Free)	
15	937SG15	O-Ring (P6)	1	47	937SG47	5" VAC Vinyl Face Pad (Dust Free)	
16	937SG16	Lever	1	47'	937SG47'	5" VAC Hook Face Pad (Dust Free)	1
17	937SG17	Spring Pin (∅2x18)	1	47"	937SG47"	6" VAC Vinyl Face Pad (Dust Free)	
18	937SG18	Housing	1	47'''	937SG47'''	6" VAC Hook Face Pad (Dust Free)	
19	937SG19	Flat Screw (M5x10)	1	48	937SG48	Vacuum Adapter	1
20	937SG20	Toothed Lock Washer	1	49	937SG49	Needle Pin (∅3x8)	2
21	937SG21	Washer	1	50	937SG50	O-Ring (∅16x∅2)	1
22	937SG22	Ball Bearing (6000ZZ)	1	51	937SG51	Vacuum Nozzle	1
23	937SG23	Rear Plate	1	52	937SG52	Hose Adapter	1
24	937SG24	Rotor (5" Pad)	1	53	937SG53	Rubber Hose	1
24'	937SG24'	Rotor (6" Pad)	1	53'	937SG53'	Rubber Hose (Option)	
25	937SG25	Rotor Blade	5	54	937SG54	Bag	1
26	937SG26	Cylinder	1	55	937SG55	Vacuum Adapter (∅33.5)	1
27	937SG27	O-Ring (P7)	1	56	937SG56	Hose Adapter (∅28.5) (Option)	1
28	937SG28	Spring Pin (∅3x8)	1	57	937SG57	O-Ring (∅11x∅13)	1
29	937SG29	Spring Pin (∅3x5)	1	58	937SG58	U-Side Plate	1
30	937SG30	Front Plate	1	59	937SG59	L-Side Plate	1
31	937SG31	Ball Bearing (6000ZZ)	1	70	937SG70	Screw (M5x10)	1
32	937SG32	O-Ring (P38)	1	71	937SG71	Ball Bearing (688Z)	1
33	937SG33	Safeguard Bushing	1	72	937SG72	Shaft	1
34	937SG34	Rotor Key (∅13x3)	1				