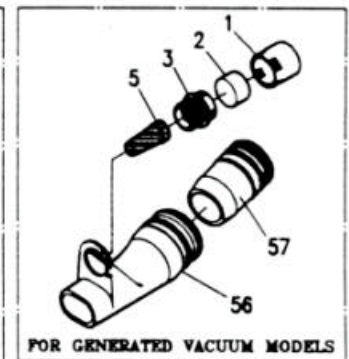
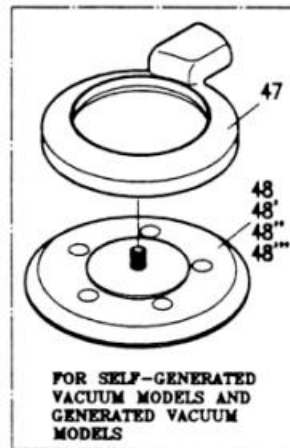
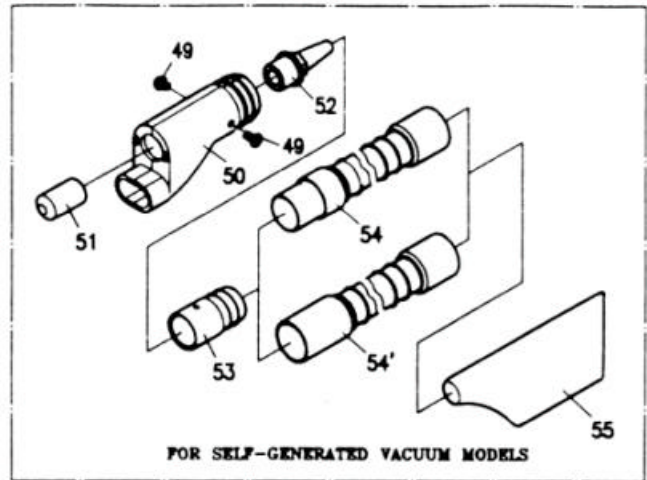
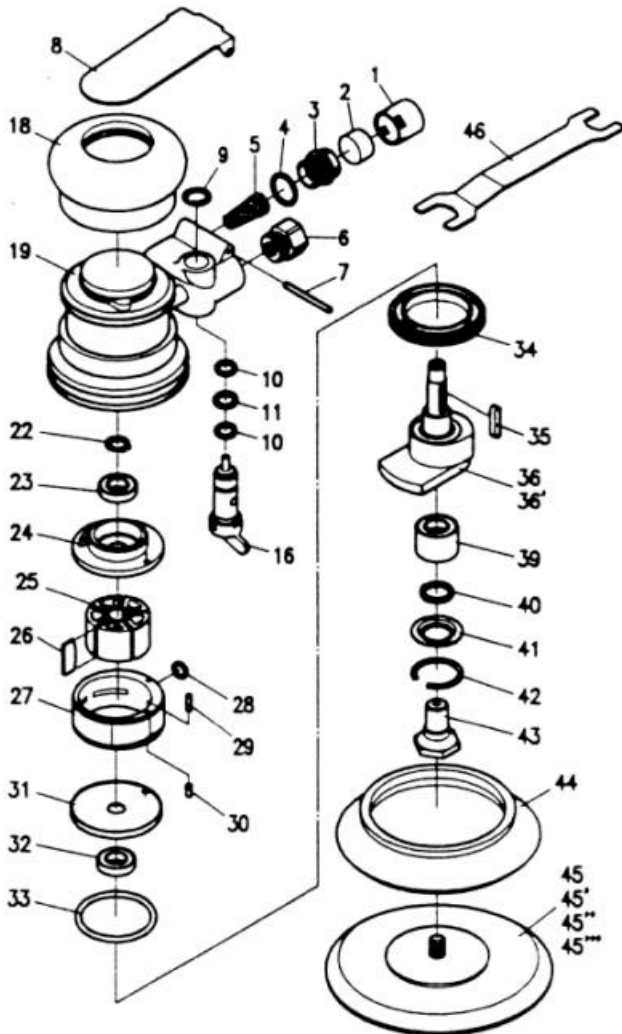


# 吉生 GISON

## GP-936D/936N/936V 5/6" Air Sander



### PARTS LIST

☛ : Consuming Part

Item No.	Part No.	Description	Qty.	Item No.	Part No.	Description	Qty.
01	936D01	Cover	1	36	936D36	Motor Shaft Balancer (5" Pad)	1
02	936D02	Felt	1	36'	936D36-1	Motor Shaft Balancer (6" Pad)	
03	936D03	Muffler Body	1	39	936D39	Ball Bearing (5001TIX)	1
04	936D04	O-Ring (Ø15 xØ1.5)	1	40	936D40	Felt Ring	1
05	936D05	Cone Muffler	1	41	936D41	Bearing Shield	1
06	936D06	Inlet Bushing	1	42	936D42	Snap Ring (IR28)	1
07	936D07	Spring Pin (Ø3 x40)	1	43	936D43	Shaft	1
08	936D08	Lever	1	44	936D44	Shroud (Non-Vac)	1
09	936D09	Snap Ring (S12)	1	45	936D45	5" Nv Vinyl Face Pad	1
10	936D10	O-Ring (Ø10 xØ1.5)	2	45'	936D45-1	5" Nv Hook Face Pad	
11	936D11	O-Ring (Ø11 xØ1)	1	45"	936D45-2	6" Nv Vinyl Face Pad	
16	936D16	Regulator Assembly	1 Set	45'''	936D45-3	6" Nv Hook Face Pad	
18	936D18	Rubber Cover	1	46	936D46	Stop Spanner	1
19	936D19	Housing	1	47	936D47	Shroud (Dust Free)	1
22	936D22	Snap Ring (S9)	1	48	936D48	5" Vac Vinyl Face Pad (Dust Free)	1
23	936D23	Ball Bearing (629ZZ)	1	48'	936D48-1	5" Vac Hook Face Pad (Dust Free)	
24	936D24	Rear Plate	1	48"	936D48-2	6" Vac Vinyl Face Pad (Dust Free)	
25	936D25	Rotor	1	48'''	936D48-3	6" Vac Hook Face Pad (Dust Free)	
26	936D26	Rotor Blade	5	49	936D49	Screw (M4 x8)	2
27	936D27	Cylinder	1	50	936D50	Eductor Assembly	1
28	936D28	O-Ring (P7)	1	51	936D51	Muffler Tube	1
29	936D29	Spring Pin (Ø3 xØ8)	1	52	936D52	Vac. Nozzle	1
30	936D30	Spring Pin (Ø3 xØ5)	1	53	936D53	Vac. Tube	1
31	936D31	Front Plate	1	54	936D54	Rubber Hose	1
32	936D32	Ball Bearing (6002ZZ)	1	54'	936D54-1	Rubber Hose (Option)	1
33	936D33	O-Ring (P40)	1	55	936D55	Bag	1
34	936D34	Safeguard Bushing	1	56	936D56	Vacuum Adapter (Ø33.5)	1
35	936D35	Rotor Key (3 x4 x18)	1	57	936D57	Hose Adapter (Ø28.5) (Option)	1