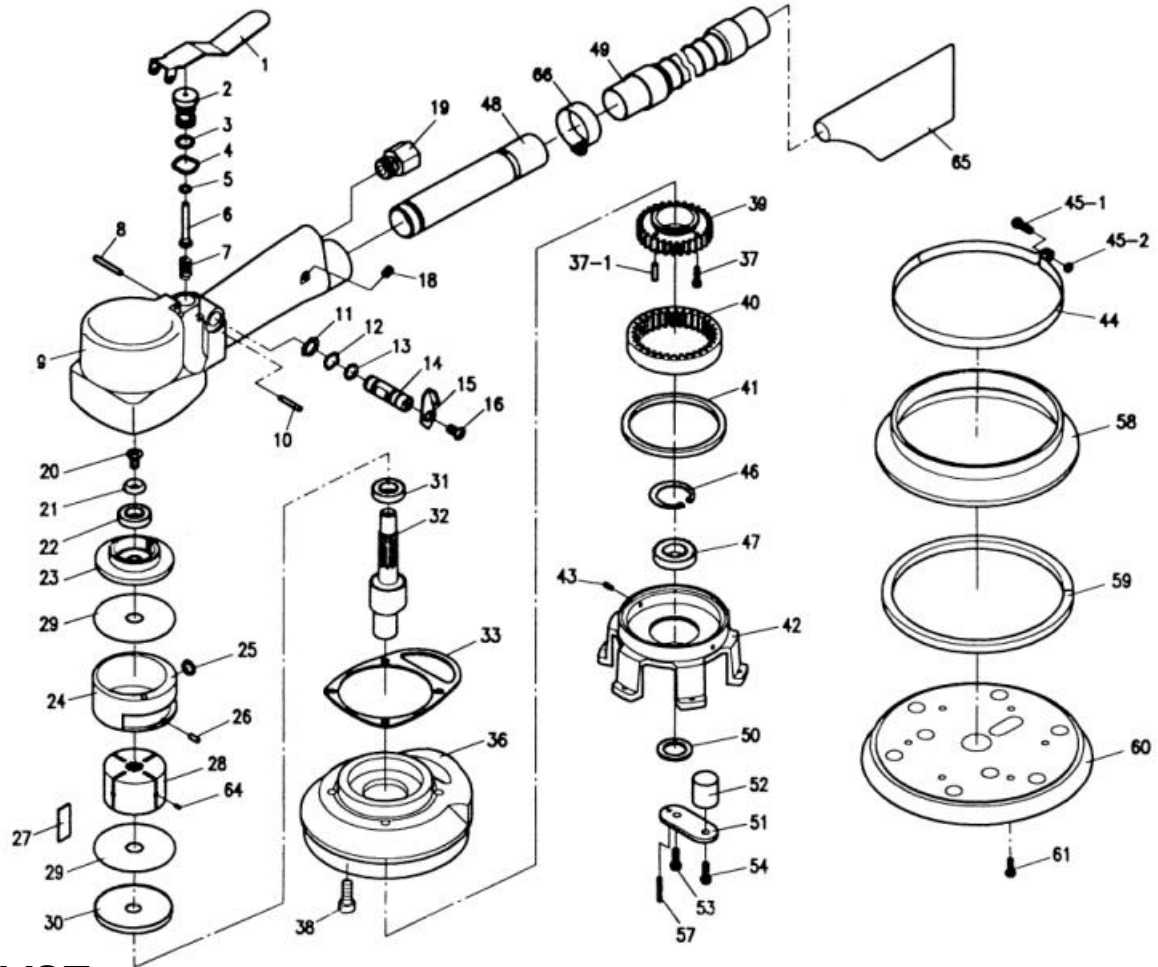


# 吉生 GISON

## GP-935RD 5"/6" Dust Free Gear Action Sander



### PARTSLIST

✳ : Consuming Part

Item No.	Part No.	Description	Qty.	Item No.	Part No.	Description	Qty.
01	935RD01	Valve Lever	1	35	935RD35	Screw (M6x15)	4
02	935RD02	Valve Pin Sleeve	1	36	935RD36	Base Ring	1
03	935RD03	O-Ring (P8)	2	37	935RD37	Cap Bolt (M3x10)	2
04	935RD04	Wave Washer (WW-12)	1	37-1	935RD37-1	Needle Ping (∅3x12)	2
05	935RD05	O-Ring (P4x∅7)	1	38	935RD38	Screw (M5x16)	4
06	935RD06	Valve	1	39	935RD39	Gear (O.D)	1
07	935RD07	Valve Spring	1	40	935RD40	Gear (I.D)	1
08	935RD08	Spring Pin (∅3x20)	1	41	935RD41	Dust Seal	1
09	935RD09	Body	1	42	935RD42	Lower Head	1
10	935RD10	Needle Pin (∅3x18)	1	43	935RD43	Set Screw (M4x6)	2
11	935RD11	Snap Ring (S-10)	2	44	935RD44	Skirt Band	1
12	935RD12	Wave Washer (WW-10)	1	45-1	935RD45-1	Screw (M4x20)	1
13	935RD13	O-Ring (P6)	2	45-2	935RD45-2	Nut (M4)	1
14	935RD14	Regulator	1	46	935RD46	Snap Ping (R-32)	1
15	935RD15	Regulator Lever	1	47	935RD47	Bearing (6002DU)	2
16	935RD16	Screw (M4x6)	1	48	935RD48	Ejector	1
18	935RD18	Set Bolt (M4x6)	1	49	935RD49	Duct Hose Set	1 (set)
19	935RD19	1/4" OM Nipple	1	50	935RD50	Spacer	1
20	935RD20	Screw (M5x10)	1	51	935RD51	Balancer Arm	1
21	935RD21	Conical Washer (M6)	1	52	935RD52	Balancer	1
22	935RD22	Bearing (6200ZZ)	1	53	935RD53	Screw (M5x12)	1
23	935RD23	U-Bearing Case	1	54	935RD54	Screw (M5x12)	1
24	935RD24	Cylinder	1	57	935RD57	Spring Pin (∅3x8)	1
25	935RD25	O-Ring (P6)	1	58	935RD58	Skirt	1
✳ 26	935RD26	Spring Pin (∅3x 5)	1	59	935RD59	Dust Seal	1
27	935RD27	Vane	4	60-1	935RD60-1	Pad (LP)	1
28	935RD28	Rotor	1	60-2	935RD60-2	PAD (MP)	
29	935RD29	Side Plate	2	61	935RD61	Cap Bolt (M4x10)	6
30	935RD30	L-Bearing Case	1	64	935RD64	Vane Spring	4
31	935RD31	Bearing (6201ZZ)	1	65	935RD65	Bag	1
32	935RD32	Rotor Shaft	1	66	935RD66	Hose Clamps (1-1/2")	1
33	935RD33	Body Gasket	1				