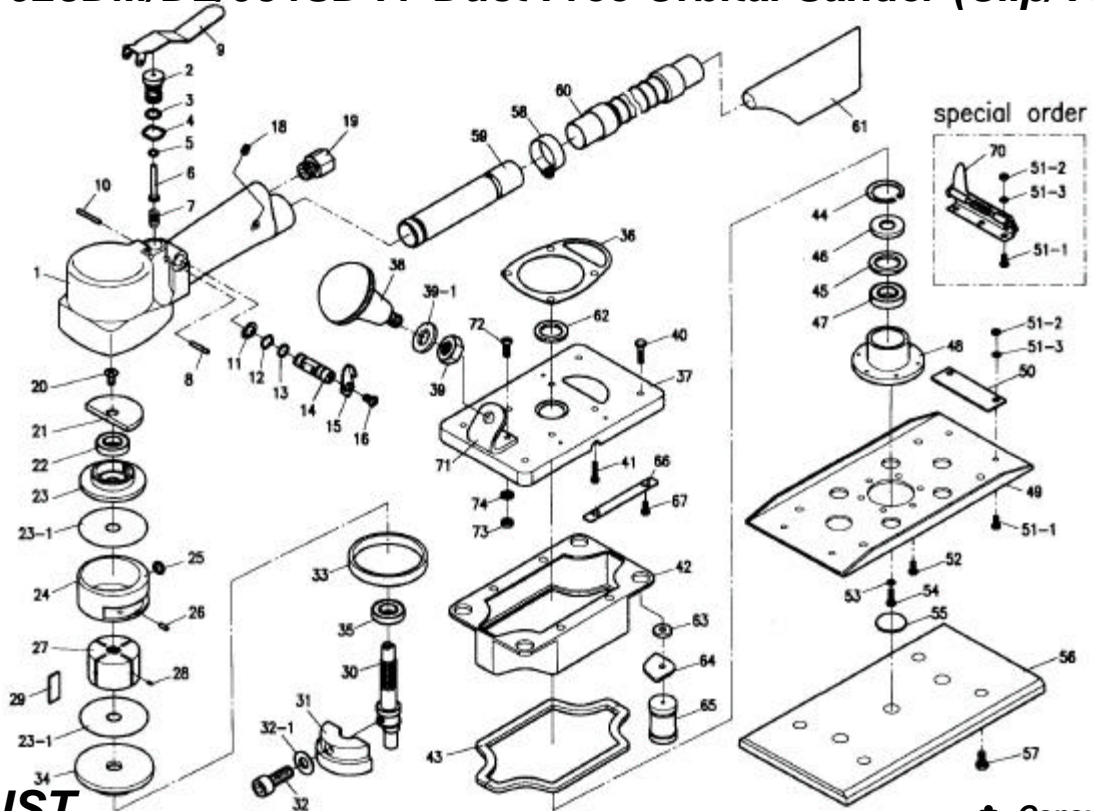


吉生 GISON

GP-928DM/DL/934SD-A Dust Free Orbital Sander (Clip/Velcro)



PARTS LIST

✳ : Consuming Part

Item No.	Part No.	Description	Qty.	Item No.	Part No.	Description	Qty.
01	928D01	Body	1	39	928D39	3/8" Nut	1
02	928D02	Valve Pin Sleeve	1	39-1	928D39-1	Spring Washer (3/8")	1
03	928D03	O-Ring (P8)	2	40	928D40	Screw (M5x15)	4
04	928D04	Wave Washer (WW-12)	1	41	928D41	Screw (M5x15)	4
05	928D05	O-Ring (∅4x∅7)	1	42	928D42	Skirt	1 (set)
06	928D06	Valve	1	43	928D43	Skirt Felt	(2)
07	928D07	Valve Spring	1	44	928D44	Snap Ring (R26)	1
08	928D08	Needle Pin (∅3x18)	1	45	928D45	Felt Ring (∅22)	1
09	928D09	Valve Lever	1	46	928D46	Dust Seal	1
10	928D10	Spring Pin (∅3x20)	1	47	928D47	Bearing (6000LLB)	2
11	928D11	Snap Ring (S-10)	2	48	928D48	Shoe Bearing Case	1
12	928D12	Wave Washer (WW-10)	1	49	928D49	Shoe	1
13	928D13	O-Ring (P6)	2	50	928D50	Clip Weight (Velcro Face Pad)	2
14	928D14	Regulator	1	70	928D70	Clip (Set) (Vinyl Face Pad)	
15	928D15	Regulator Lever	1	51-1	928D51-1	Screw (M4x8)	(4)
16	928D16	Screw (M4x6)	1	51-2	928D51-2	Nut (M4)	(4)
18	928D18	Set Bolt (M4x6)	1	51-3	928D51-3	Washer (AW08)	(4)
19	928D19	1/4" OM Nipple	1	52	928D52	Screw (M4x8)	6
20	928D20	Screw (M5x12)	1	53	928D53	Washer (AW08)	1
21	928D21	U-Balancer	1	54	928D54	Screw (M5x10)	1
22	928D22	Bearing (6200ZZ)	1	55	928D55	∅23 Packing	1
23	928D23	U-Bearing Case	1	56	928D56-1	Pad MP (GP-928DM)	1
23-1	928D23-1	Side Plate	1		928D56-2	Pad LP (GP-928DL)	
24	928D24	Cylinder	1	57	928D57	Screw (M5x10)	4
25	928D25	O-Ring (P6)	1	58	928D58	Hose Clamps (1-1/2")	1
26	928D26	Spring Pin (∅3x5)	1	59	928D59	Ejector	1
27	928D27	Rotor	1	60	928D60	Duct Hose Set	1 (set)
28	928D28	Vane Spring	4	61	928D61	Bag	1
29	928D29	Vane	4	62	928D62	Felt Ring	1
30	928D30	Rotor Shaft	1	63	928D63	Support Washer	4
31	928D31	L-Balancer	1	64	928D64	Skirt Clamper	4
32	928D32	Cap Screw (M5x25)	1	65	928D65	Support	4
32-1	928D32-1	Spring Washer (M5)	1	66	928D66	Skirt Liner	2
33	928D33	Spacer	1	67	928D67	Screw (M4x6)	4
34	928D34	L-Bearing Case	1	71	928D71	Bracket	1
35	928D35	Bearing (6201ZZ)	1	72	928D72	Hex. Screw (M4x12)	3
36	928D36	Body Gasket	1	73	928D73	Nut (M4)	3
37	928D37	Base Plate	1	74	928D74	Washer (AW04)	3
38	928D38	Front Knob	1				