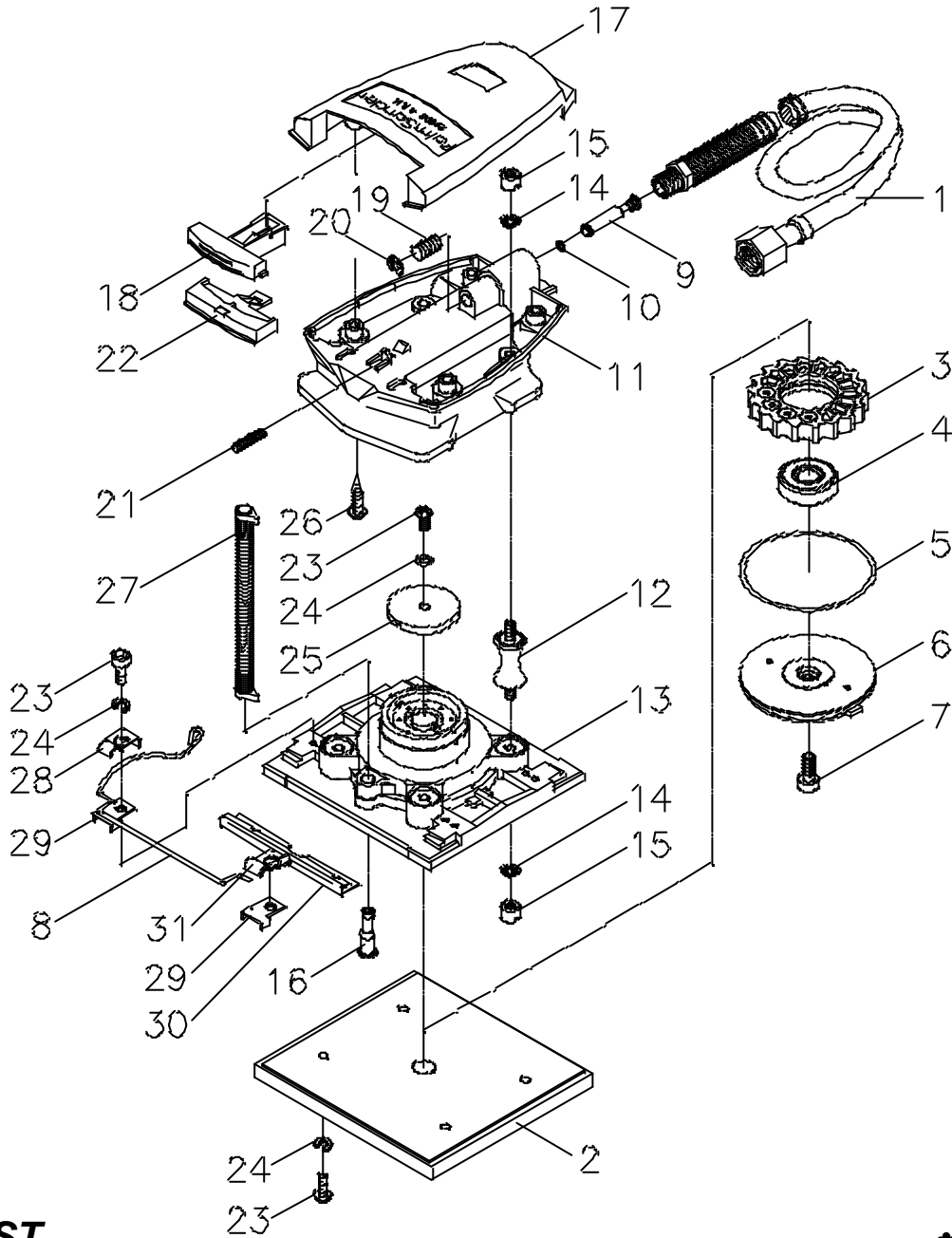


GISON Pneumatic Tools

GP-927 Palm Sander



PARTS LIST

✳ :Consuming Part

Item No.	Part No.	Description	Qty.	Item No.	Part No.	Description	Qty.
✳ 1	927001	Hose D Sub Ass' y	1	17	927017	Housing Cover	1
✳ 2	927002	Rubber Pad Ass' y	1	✳ 18	927018	Trigger ON	1
✳ 3	927003	Turbing Ass' y	1	19	927019	Spring	1
4	927004	Ball Bearing	1	20	E4	Snap Ring	1
5	927005	O-Ring	1	21	927021	Spring	1
6	927006	End Cap Ass' y	1	22	927022	Trigger OFF	1
7	CAP005	Cap Screw	1	23	927023	Pan Head Screw	9
✳ 8	927008	Clamp Spring	2	24	SPW4	Spring Washer	9
9	927009	Throttle Valve Ass' y	1	25	927025	Filter	1
10	927010	O-Ring	1	26	927026	Self-Tapping Screw	4
11	927011	Housing Sub Ass' y	1	✳ 27	927027	Tube Ass' y	1
✳ 12	927012	Rubber Support Ass' y	4	28	927028	Keeper Plate	2
13	927013	Base Plate Sub Ass' y	1	29	927029	Control Piece	4
14	927014	Ext. Washer	4	✳ 30	927030	Protector Plate	2
✳ 15	927015	Copper Nut	8	31	927031	Keeper Plate	2
16	927016	Valve Bushing	2				