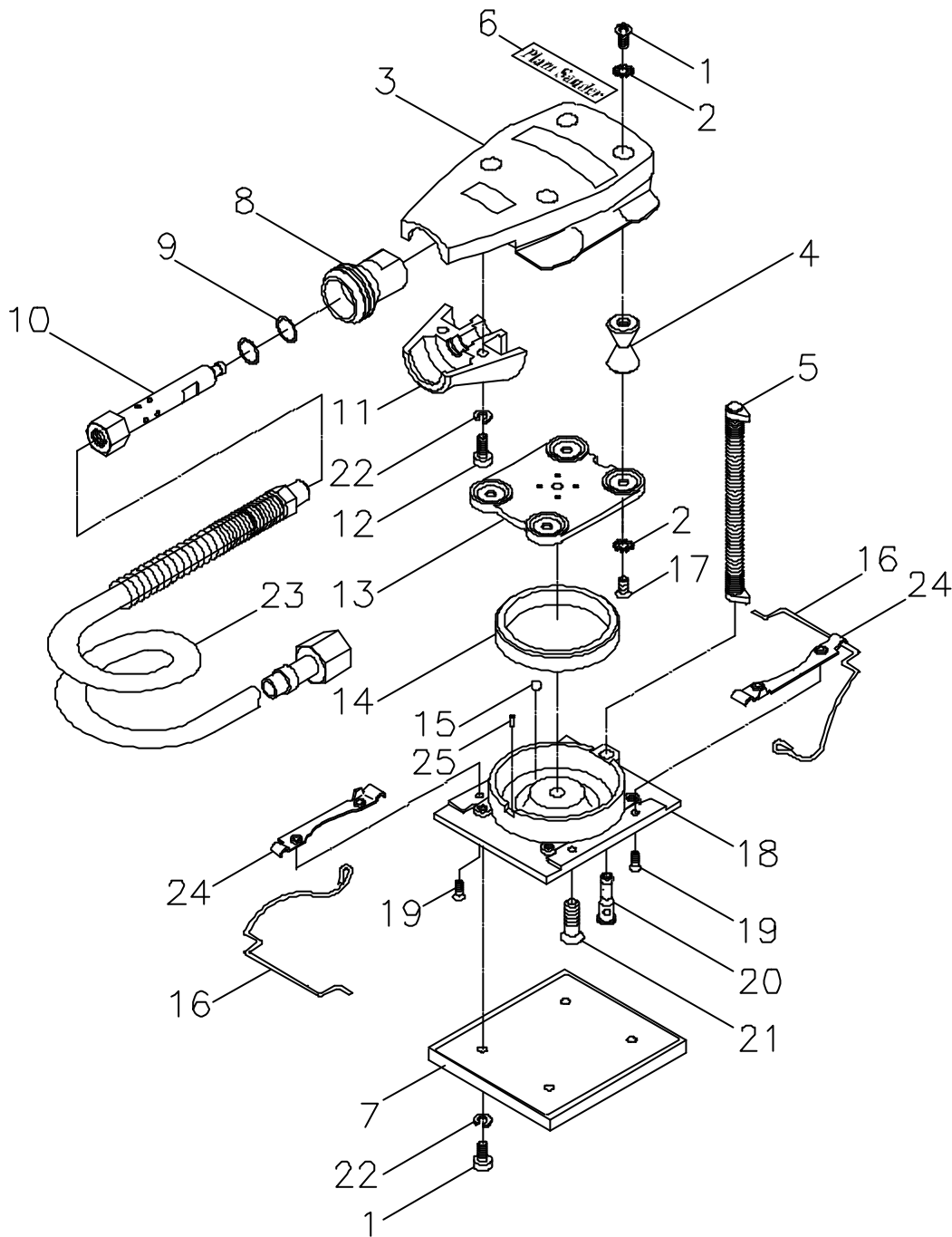


GISON Pneumatic Tools

GP-926 Palm Sander



PARTS LIST

✳ :Consuming Part

Item No.	Part No.	Description	Qty.	Item No.	Part No.	Description	Qty.
1	926001	Pan Head Screw	8	✳ 14	926014	Cylinder	1
2	926002	Ext. Washer	8	✳ 15	926015	Steel Ball	1
3	926003	Housing	1	✳ 16	926016	Clamp Spring	2
✳ 4	926004	Rubber Support Ass'y	4	✳ 17	926017	Flat Head Screw	4
✳ 5	926005	Tube Ass'y	1	18	926018	Cylinder, Sub Ass'y	1
6	926006	Model Label	1	19	926019	Flat Head Screw	4
✳ 7	926007	Rubber Pad Ass'y	1	20	926020	Valve Bushing	1
✳ 8	926008	Trigger Ass'y	1	21	926021	Flat Head Screw	1
9	926009	O-Ring	2	22	SPW4	Spring Washer	6
10	926010	Valve Nipple	1	✳ 23	926023	Hose D Sub Ass'y	1
11	926011	Housing Cap	1	✳ 24	926024	Clamp Stopper	2
12	926012	Flat Head Screw	2	25	926025	Spring Pin	1
13	926013	End Plate	1				