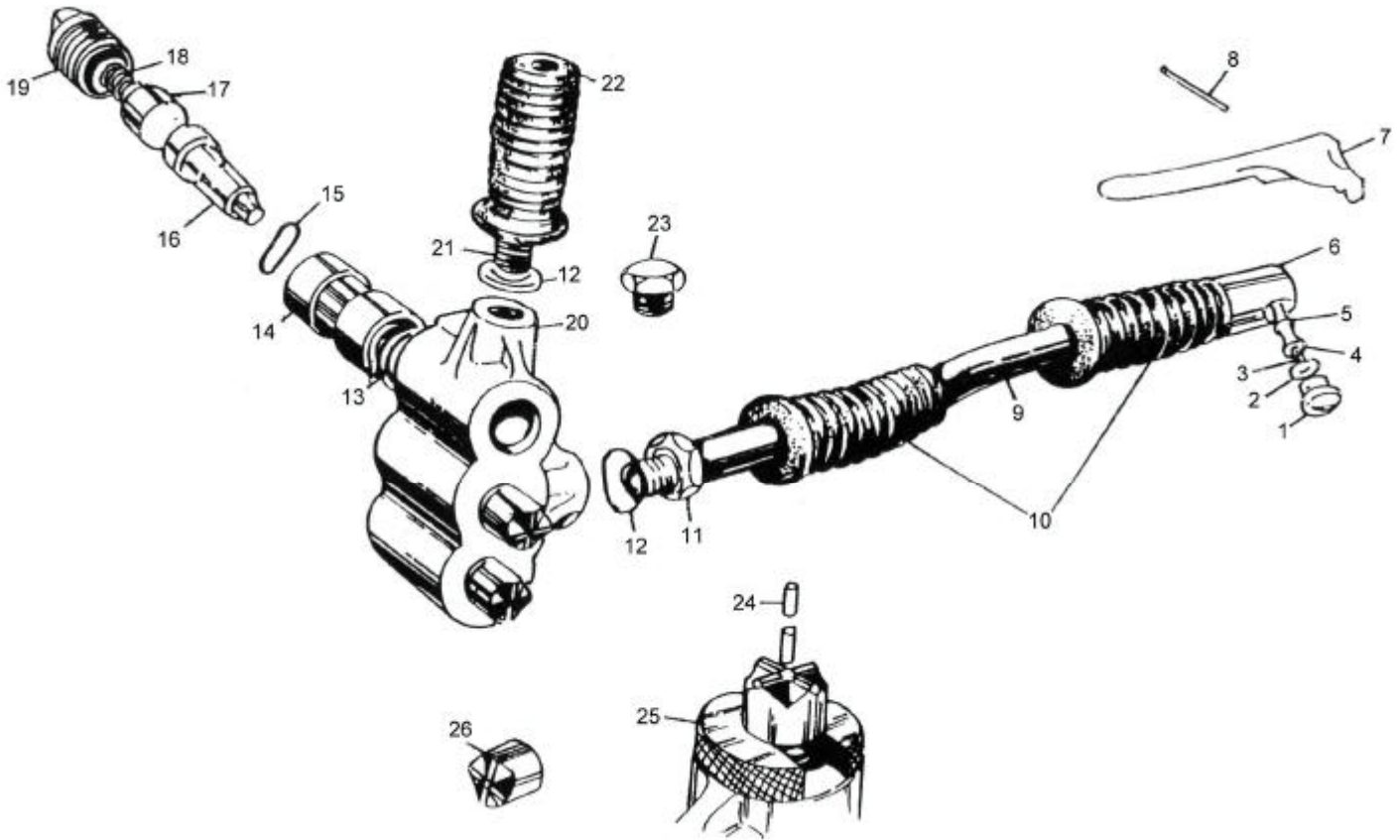




GISON Pneumatic Tools

GP-923A Air Scaling Hammer



PARTS LIST

✳ : Consuming Part

Item No.	Part No.	Description	Qty.	Item No.	Part No.	Description	Qty.
1	923A01	Valve Cap	1	15	923A15	O-Ring	3
2	923A02	O-Ring Valve Cap	1	16	923A16	Piston	3
3	923A03	Valve Spring	1	17	923A17	Spring Cap	3
4	923A04	Valve Stem	1	18	923A18	Spring	3
5	923A05	O-Ring Valve Seat	1	19	923A19	Plunger Cap	3
6	923A06	Valve Body	1	20	923A20	Body	1
7	923A07	Throttle Lever	1	21	923A21	Side Handle	1
8	923A08	Roll Pin	1	22	923A22	Secondary Rubber Handle Grip	1
9	923A09	Handle	1	23	923A23	Plug	1
10	923A10	Rubber Handle Grip	2	24	923A24	Bar	1
11	923A11	Lock Nut	1	25	923A25	Washer	1
12	923A12	O-Ring	2	26	923A26	Head (Tungsten Steel)	1
13	923A13	Brush Seal	1				
14	923A14	Cylinder	3				

Instructions for head replacement:

1. Place Removal Washer under Head.
2. Place a suitable knock-out bar through the hole in the Head.
3. Hit the bar to release the Head from the Piston Tip.
4. Thoroughly clean the Piston Tip, removing all traces of oil and grease. Place a new Head on the Tip, pushing downwards with a twisting action.
5. Remove the washer.
6. Tap on the new Head with soft material, such as aluminum or wood, ensuring a stable and secure position.