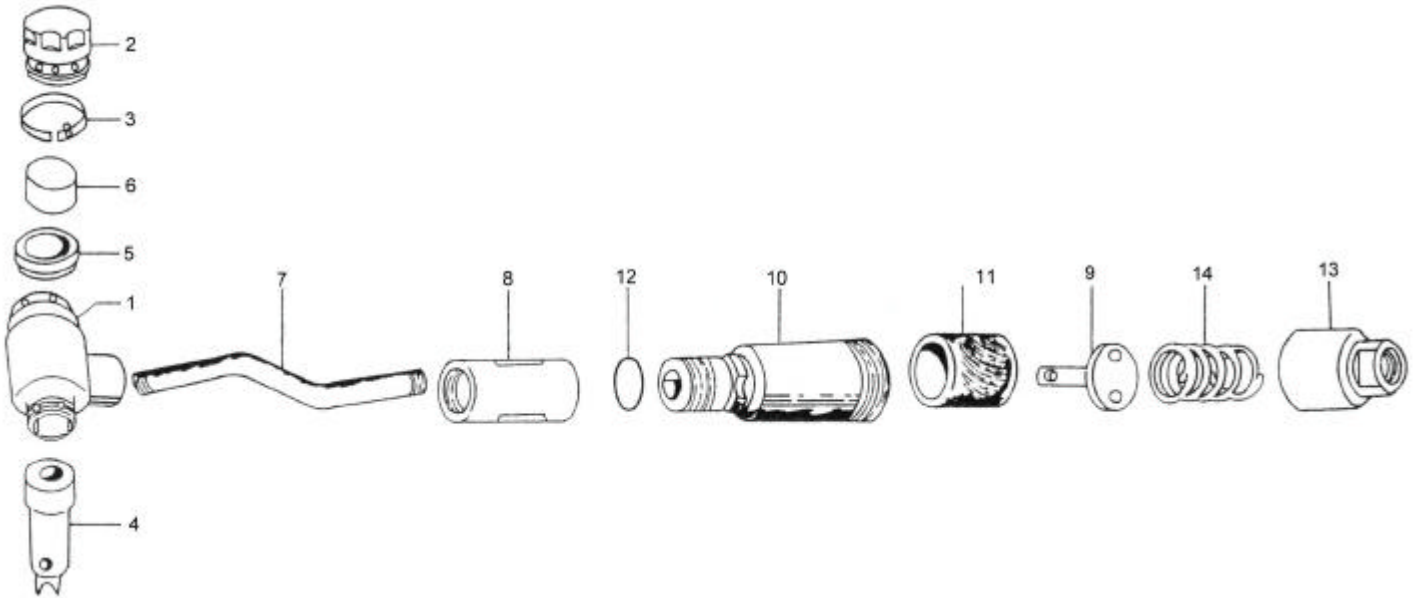




GISON Pneumatic Tools

GP-923 Air Scaling Hammers



Specifications:

Overall length480 mm
 Dimensions of the piston 30x24x75 mm
 Weight1.9 kg
 High (Maximum) 115 mm
 Strokes 8,000 /Min
 Air consumption 4.0 cfm
 Inside diameter of the hose 12.7 mm

PARTS LIST

✿ :Consuming Part

Item No.	Part No.	Description	Qty.	Item No.	Part No.	Description	Qty.
1	923001	Cylinder	1	9	923009	Bevel Valve	1
2	923002	Cylinder Head	1	10	923010	Spindle	1
3	923003	Cylinder Head Cover	1	11	923011	Air Regulator	1
4	923004	Piston Valve	1	12	923012	Retainer Ring	1
5	923005	Valve Cap	1	13	923013	Connector	1
6	923006	Round Rubber	1	14	923014	Valve Spring	1
7	923007	Pipe	1	15	923015	Stop Pin	1
8	923008	Air Coupling	1				