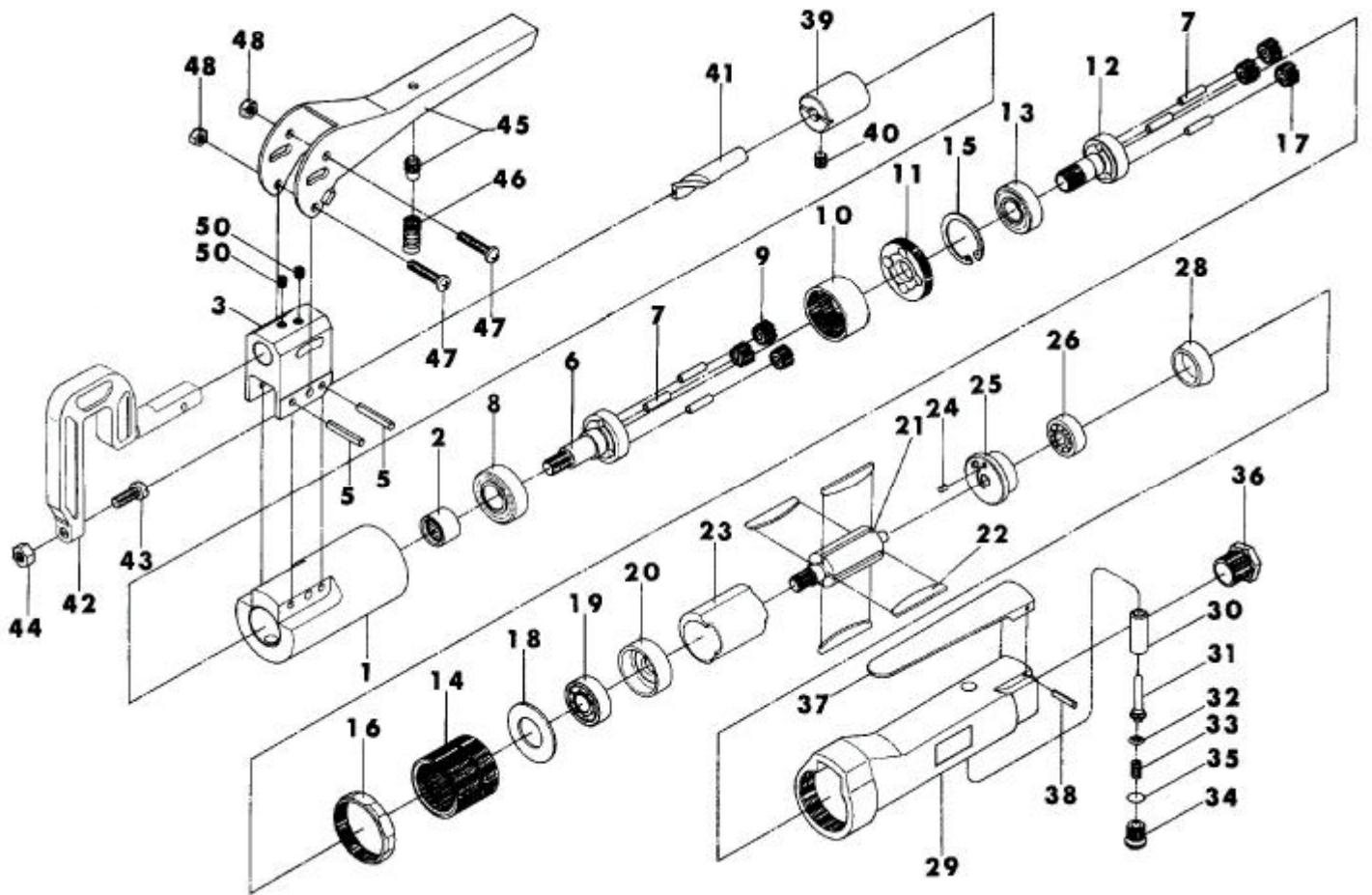


GISON Pneumatic Tools

GP-921W Air Spot Drill



PARTS LIST

★ :Consuming Part

Item No.	Part No.	Description	Qty.	Item No.	Part No.	Description	Qty.
1	921001	Main Shaft Casing	1	26	921026	Ball Bearing	1
2	921002	Needle Bearing	1	28	921028	Bearing Cap	1
3	921003	Clamp Arm Blade	1	29	921029	Throttle Handle	1
5	921005	Spring Pin	2	30	921030	Throttle Valve	1
6	921006	Main Shaft	1	31	921031	Valve	1
7	921007	Needle Roller	6	★ 32	921032	O-Ring	1
8	921008	Ball Bearing	1	33	921033	Throttle Spring	1
★ 9	921009	Idler Gear (I)	3	34	921034	Throttle Valve Plug	1
★ 10	921010	Internal Gear (I)	1	★ 35	921035	O-Ring	1
11	921011	Bearing Support	1	36	921036	Air Inlet Bushing	1
12	921012	Drive Shaft	1	37	921037	Throttle Lever	1
13	921013	Ball Bearing	1	38	921038	Spring Pin	1
★ 14	921014	Internal Gear (II)	1	39	921039	Collet Chuck	1
15	921015	Internal Stop Ring	1	40	921040	Set Screw	1
16	921016	Distance Nut	1	★ 41	921041	Drill	1
★ 17	921017	Idler Gear (II)	3	42	921042	Clamp Arm	1
18	921018	Washer	1	★ 43	921043	Adjusting Bolt	1
19	921019	Ball Bearing	1	★ 44	921044	Hexagon Nut	1
20	921020	Front End Plate	1	45	921045	Clamp Lever	1
21	921021	Rotor	1	46	921046	Lever Spring	1
22	921022	Blade	4	47	921047	Button Head Screw	2
23	921023	Cylinder	1	48	921048	Hexagon Lock Nut	2
24	921024	Spring Pin	1	49	921049	L Shape Hex Wrench (3mm)	1
★ 25	921025	Rear End Plate	1	50	921050	Set Screw	2
26	921026	Ball Bearing	1				