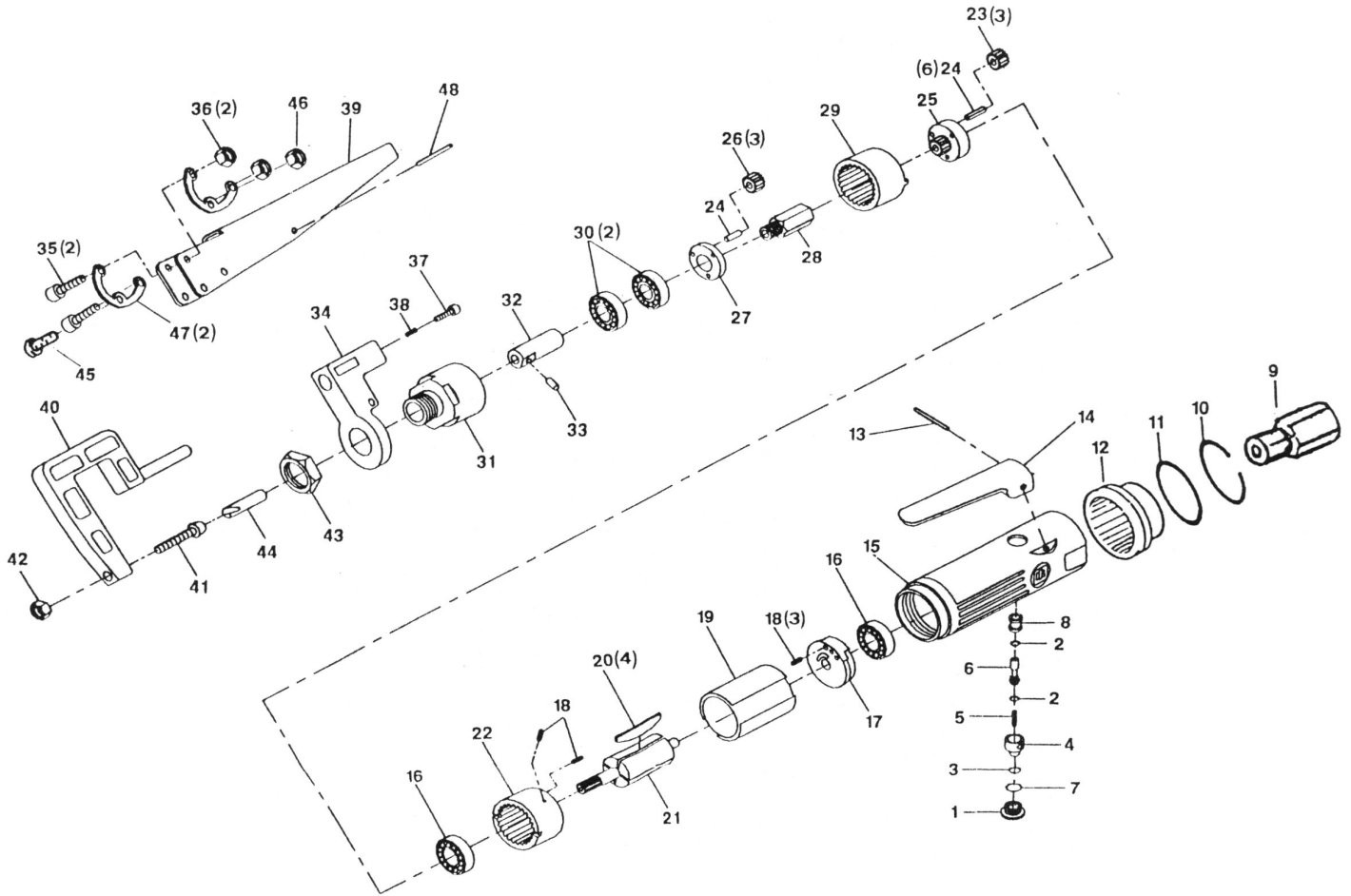




GISON Pneumatic Tools

GP-921C Air Spot Drill



PARTS LIST

✧ :Consuming Part

Item No.	Part No.	Description	Qty.	Item No.	Part No.	Description	Qty.
1	921C01	Value Screw	1	25	921C25	Planet Carrier	1
2	921C02	O-Ring	1	✧ 26	921C26	Planet Gear	3
3	921C03	O-Ring	1	27	921C27	Planet Cage	1
4	921C04	Air Controller	1	28	921C28	Spindle Shaft	1
5	921C05	Valve Spring	1	29	921C29	Internal Gear	1
6	921C06	Valve Stem	1	30	921C30	Ball Bearing	2
7	921C07	O-Ring	1	31	921C31	Clamp Nut	1
8	921C08	Valve Bushing	1	32	921C32	Spindle	1
9	921C09	Inlet Bushing	1	33	921C33	Set Screw	1
10	921C10	Retainer Ring	1	34	921C34	Arm Base	1
11	921C11	O-Ring	1	35	921C35	Hexagon Head Bolt	2
12	921C12	Exhaust Sley	1	36	921C36	Hexagon Nut	2
13	921C13	Spring Pin	1	37	921C37	Set Screw	1
14	921C14	Throttle Lever	1	38	921C38	Spring Niv	1
15	921C15	Motor Housing	1	39	921C39	Grip Handle	1
16	921C16	Ball Bearing	2	40	921C40	Arm	1
17	921C17	Bear End Plate	1	41	921C41	Cut In Adjusting Bolt	1
18	921C18	Spring Pin	3	42	921C42	Hexagon Nut	1
19	921C19	Cylinder	1	43	921C43	Lock Nut	1
✧ 20	921C20	Rotor Blade	4	44	921C44	Drill	1
21	921C21	Rotor	1	45	921C45	Hexagon Head Bolt	2
22	921C22	Internal Gear With Fient Plate	1	46	921C46	Hexagon Nut	1
✧ 23	921C23	Planet Gear	3	47	921C47	Clip Washer	2
24	921C24	Planet Pin	6	48	921C48	Pin	1