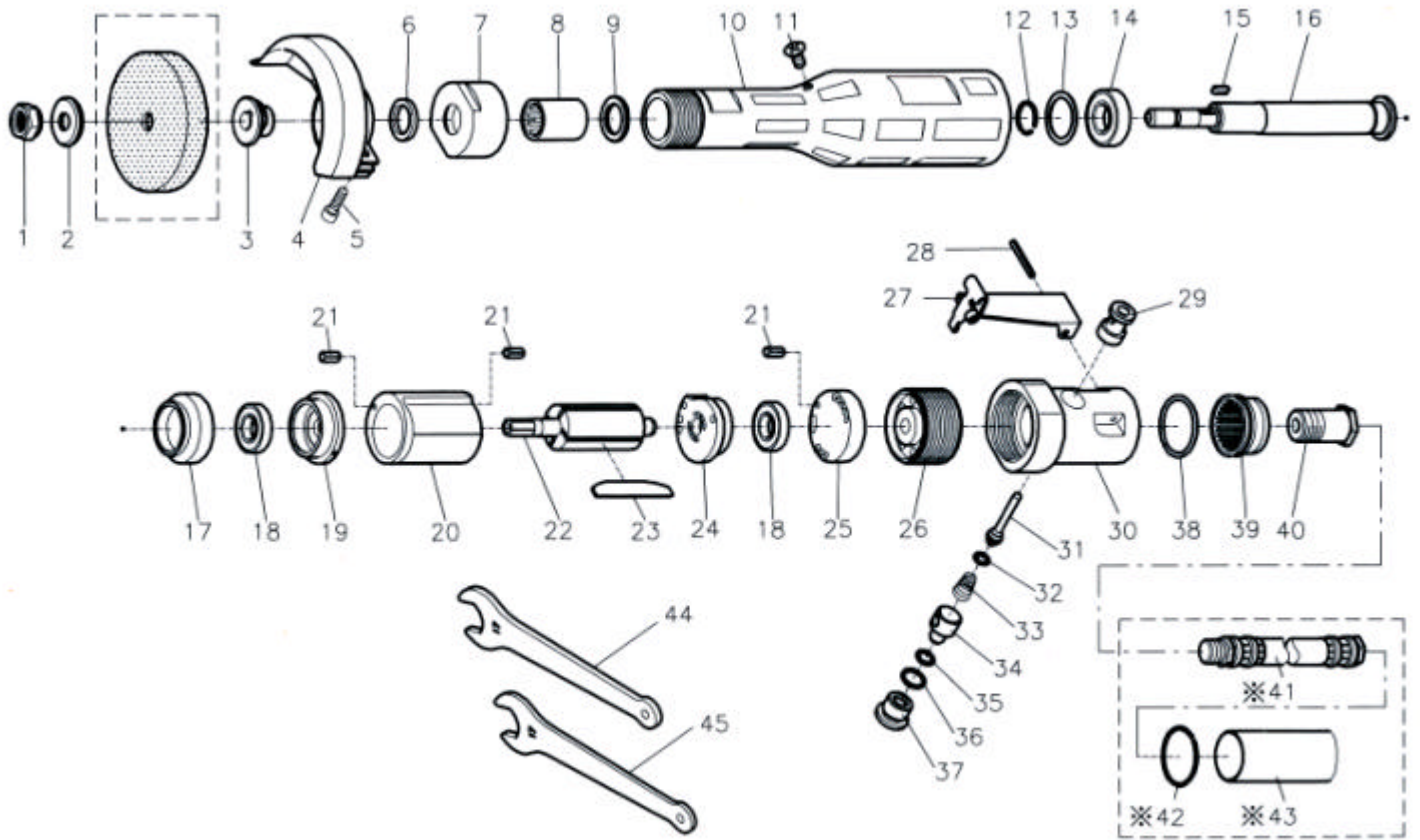


GISON Pneumatic Tools

GP-917A Industrial Wheel Grinder



PARTS LIST

★ :Consuming Part

| Item No. | Part No. | Description | Qty. | Item No. | Part No. | Description | Qty. |
|----------|----------|----------------------|------|----------|----------|---------------------|------|
| 1 | 917A01 | Nut | 1 | 26 | 917A26 | Connector | 1 |
| 2 | 917A02 | Wheel Nut Flange | 1 | 27 | 917A27 | Throttle Lever | 1 |
| 3 | 917A03 | Wheel Holder Flange | 1 | 28 | 917A28 | Spring Pin | 1 |
| 4 | 917A04 | Wheel Guard | 1 | 29 | 917A29 | Bushing | 1 |
| 5 | 917A05 | Cap Screw (M5x15L) | 1 | 30 | 917A30 | Rear Cover | 1 |
| 6 | 917A06 | Wooly Washer | 1 | 31 | 917A31 | Valve Stem | 1 |
| 7 | 917A07 | Front Cover | 1 | 32 | 917A32 | O-Ring | 1 |
| 8 | 917A08 | Needle Bearing | 1 | 33 | 917A33 | Spring | 1 |
| 9 | 917A09 | Washer | 1 | 34 | 917A34 | Regulator | 1 |
| 10 | 917A10 | Motor Housing | 1 | 35 | 917A35 | O-Ring | 1 |
| 11 | 917A11 | Chamfer Screw | 1 | 36 | 917A36 | O-Ring | 1 |
| 12 | 917A12 | Spindle Collar | 1 | 37 | 917A37 | Valve Plug | 1 |
| 13 | 917A13 | Washer | 1 | 38 | 917A38 | O-Ring | 1 |
| 14 | 917A14 | Ball Bearing | 1 | 39 | 917A39 | Hose Adapter | 1 |
| 15 | 917A15 | Key (3x10) | 1 | 40 | 917A40 | Air Inlet (1/4"PF) | 1 |
| 16 | 917A16 | Spindle | 1 | | | Air Inlet (1/4"PT) | |
| 17 | 917A17 | Spacer | 1 | | | Air Inlet (1/4"NPT) | |
| 18 | 917A45 | Ball Bearing | 2 | 41 | 917A41 | Lead Hose (1/4"PF) | 1 |
| 19 | 917A19 | Front End Plate | 1 | | | Lead Hose (1/4"PT) | |
| 20 | 917A20 | Cylinder | 1 | | | Lead Hose (1/4"NPT) | |
| 21 | 917A21 | Spring Pin | 3 | 42 | 917A42 | Snap Ring | 1 |
| 22 | 917A22 | Rotor | 1 | 43 | 917A43 | Exhaust Hose | |
| 23 | 917A23 | Rotor Blade | 4 | 44 | 917A44 | Spanner (For No.1) | |
| 24 | 917A24 | Rear End Plate | 1 | 45 | 917A45 | Spanner (For No.3) | 1 |
| 25 | 917A25 | Air Diversion | 1 | | | | |