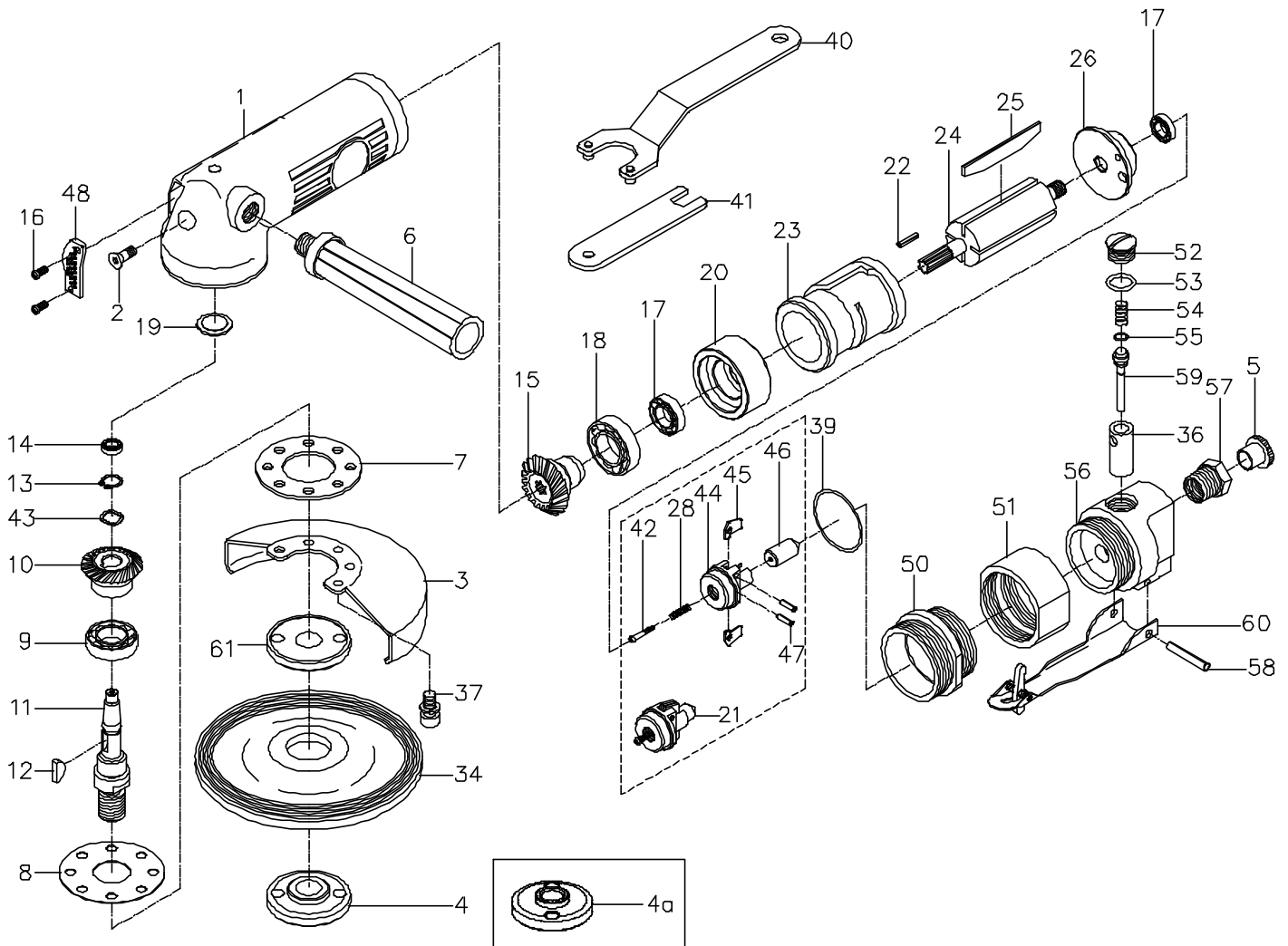


# 吉生 GISON

## GP-914M 5" Angle Grinder (M14)



### PARTS LIST

### ERSATZTEIL LISTE

✳ :Consuming Part

Gut Nr. Item No.	Teil Nr. Part No.	Description	Q'ty	Gut Nr. Item No.	Teil Nr. Part No.	Description	Q'ty
1	832001	Body	1	28	S026	Spring	1
2	MT001	Screw	1	34	832034	Disc Wheel	1
3	912003	Disc Cover	1	36	832061	Valve Bushing	1
✳ 4	911021	Disc Receiver	1	37	CAP015	Cap Screw	4
✳ 4a	911C21	Disc Receiver (Cutting)	1	39	OR032	O-Ring	1
5	829046	Plastic Cover	1	40	832040	Disc Spanner	1
6	832006	Grip	1	41	832041	Stop Spanner	1
7	832007	Retainer	1	42	832042	Adjust Screw	1
8	832008	Gasket	1	43	WW10	Wave Washer	1
9	B6202ZZ	Ball bearing	1	44	832044	Governor	1
✳ 10	832010	Bevel Gear	1	45	832045	Pendulum	8
11	911012	Gear Shaft (M14)	1	46	832046	Plunger	1
12	KR002	Key	1	47	SP017	Spring Pin	2
13	C10	Retaining Ring	1	48	832048	Exhaust Cover	1
14	B626ZZ	Ball Bearing	1	50	832050	Lock Ring	1
✳ 15	832015	Pinion Gear	1	51	832051	Coupling Nut	1
16	TP3X10	Screw	2	52	832052	Valve Screw	1
✳ 17	B608ZZ	Ball Bearing	2	53	OR033	O-Ring	1
18	B6201	Ball Bearing	1	54	S028	Valve Spring	1
19	832019	Spacer	1	55	OR034	O-Ring	1
20	829023	Front Plate	1	56	832056	Valve Housing	1
21	832h01	Governor Assembly	1	57	832057	Hose Adapter	1
22	SP025	Spring Pin	1	58	SP018	Spring Pin	1
23	829022	Cylinder	1	59	832059	Valve Pin	1
24	832024	Rotor	1	60	832J01	Complete Lever Assembly	1
✳ 25	829019	Disc Reveiver	4	61	911019	Disc Nut	1
26	829018	Rear Plate	1				