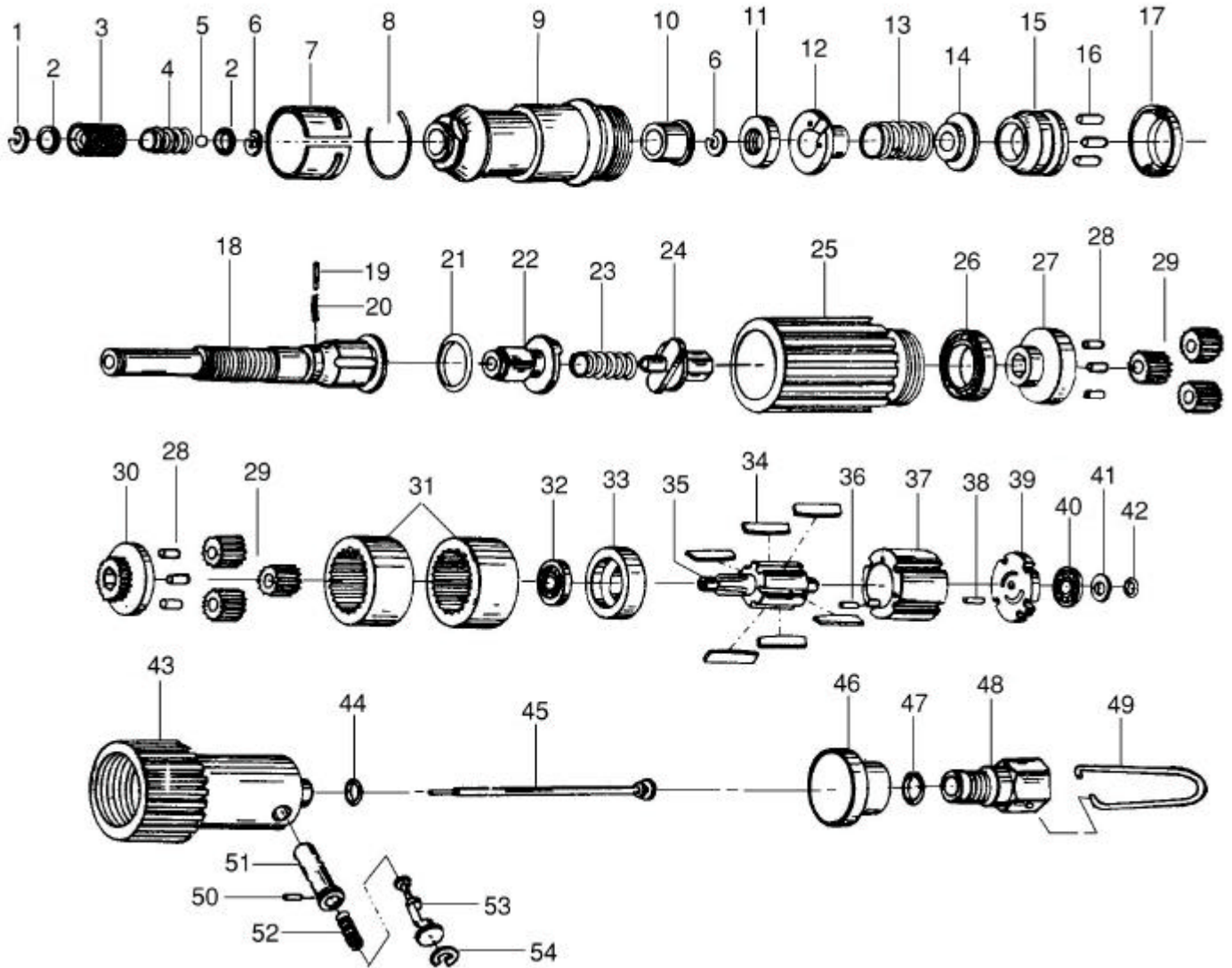


GISON Pneumatic Tools

GP-905/905L 4mm-6mm Air Screw Driver



PARTS LIST

✳ :Consuming Part

Item No	Part No	Description	Qty	Item No	Part No	Description	Qty	Item No	Part No	Description	Qty
1	905001	Retaining Ring	1	21	905021	O-Ring	1	36	905036	Cylinder Pin	1
2	905002	Retaining Washer	2	22	905022	Ecentric Rod	1	37	905037	Cylinder	1
3	905003	Ball Retainer	1	23	905023	Spring		38	905038	Pin	1
4	905004	Ball Retain Spring	1			Torque range kgf/cm		39	905039	Rear End Plate	1
5	905005	Ball 1/8"	1	905023-1		3.0 mm for 13~35 kgf/cm	1	40	905040	Ball Bearing (626)	1
6	905006	Retaining Ring	2	905023-2		3.5 mm for 25~45 kgf/cm	1	41	905041	Washer	1
7	905007	Plastic Cover	1	905023-3		4.0 mm for 52~90 kgf/cm	1	42	905042	O-Ring	1
8	905008	Cover Spring	1	905L023		4.0 mm for 52~90 kgf/cm	1	43	905043	Rotor Case	1
9	905009	Front Housing	1	24	905024	Dog	1	44	905044	O-Ring	1
10	905010	Bushing	1	25	905025	Internal Gear Housing	1	45	905045	Switch Pin	1
11	905011	Adjust Nut	1	26	905026	Ball Bearing (6201)	1	46	905046	Exhaust Cover	1
12	905012	Adjust Nut Set	1	27	905027	Planet Cage	1	47	905047	O-Ring	1
13	905013	Clutch Spring	1	28	905028	Gear Pin	6	48	905048	Air Inlet	1
14	905014	Clutch Spring Set	1	29	905029	Gear	6	49	905049	Hook	1
15	905015	End Bearing Case	1	30	905030	Planet Cage Of Gear	1	50	905050	Pin	1
16	905016	Impact Of Steel Pin	3	31	905031	Planet Case	1	51	905051	Reverse Bushing	1
17	905017	Front Bearing Case	1	32	905032	Ball Bearing (R6)	1	52	905052	Spring	1
18	905018	Clutch Spindle	1	33	905033	Front Plate	1	53	905053	Valve Stem	1
19	905019	Switch Pin	1	34	905034	Rotor Blade	6	54	905054	Reverse Retainer	1
20	905020	Switch Spring	1	35	905035	Rotor	1				