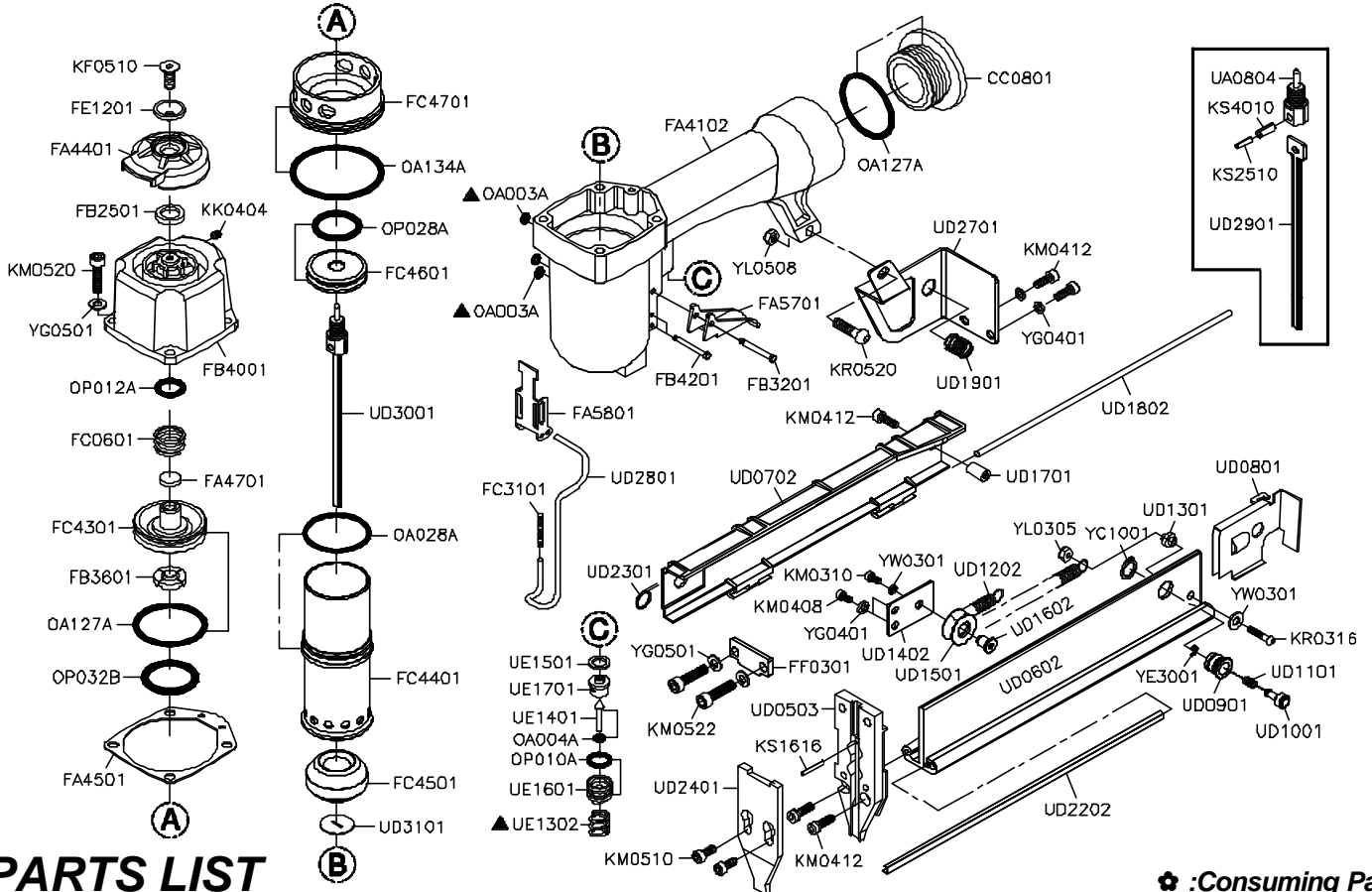


# 吉生 GISON

## GP-90/40L Medium Duty Air Stapler



### PARTS LIST

☆ : Consuming Part

Item No.	Part No.	Description	Qty.	Item No.	Part No.	Description	Qty.	Item No.	Part No.	Description	Qty.
1	CC0801	End Cap	1	28	KM0520	Hex.Soc.Hd.Bolt (M5 × 0.8-20L)	4	55	UD1501	Roller	1
2	FA4102	Body	1	29	KM0522	Hex.Soc.Hd.Bolt (M5 × 0.8-22L)	2	56	UD1602	Roller Anchor	1
3	FA4401	Exhaust Cap	1	30	KR0316	Button Hd.Bolt (M3 × 0.5-16L)	1	57	UD1701	Distance Shaft	1
4	FA4501	Cap Seal	1	31	KR0520	Button Hd.Bolt (M5 × 0.8-20L)	1	58	UD1802	Pivot	1
5	FA4701	Seal	1	32	KS1616	Spring Pin (∅1.6-16L)	1	59	UD1901	Spring	1
6	FA5701	Trigger	1	33	KS2510	Spring Pin (∅2.5-10L)	1	60	UD2202	Upper Pail	1
7	FA5801	Safety Set	1	34	KS4010	Spring Pin (∅4-10L)	1	61	UD2301	Spring	1
8	FB2501	Pu Washer	1	35	OA003A	O-Ring (ARP568-003)	3	62	UD2401	Cover Plate (B)	1
9	FB3201	Trigger Pin	1	36	OA004A	O-Ring (ARP568-004)	1	63	UD2701	Support	1
10	FB3601	Piston Stop	1	37	OA028A	O-Ring (ARP568-128)	1	64	UD2801	Safety	1
11	FB4001	Cylinder Cap	1	38	OA127A	O-Ring (ARP568-127)	2	65	UD2901	Driver	1
12	FB4201	Pin	2	39	OA134A	O-Ring (ARP568-134)	1	66	UD3001	Driver Assy.	1
13	FC0601	Compression Spring	1	40	OP010A	O-Ring (P10)	1	67	UD3101	Nozzle	1
14	FC3101	Safety Spring	1	41	OP012A	O-Ring (P12)	1	68	UE1302	Compression Spring	1
15	FC4301	Head Valve Piston	1	42	OP028A	O-Ring (P28)	1	69	UE1401	Trigger Valve Stem	1
16	FC4401	Cylinder	1	43	OP032B	O-Ring (1B) (P32)	1	70	UE1501	Seal	1
17	FC4501	Bumper	1	44	UA0804	Stem	1	71	UE1601	Trigger Valve Guide	1
18	FC4601	Main Piston	1	45	UD0503	Gudie Plaate	1	72	UE1701	Trigger Valve Seat	1
19	FC4701	Cylinder Ring	1	46	UD0602	Magazine Rall	1	73	YC1001	C-Ring (∅10)	1
20	FE1201	Exhaust Cap Ring	1	47	UD0702	Door	1	74	YE3001	E-Ring (∅3)	1
21	FF0301	Cover Plate (A)	1	48	UD0801	Pusher	1	75	YG0401	Spring Washer (∅4)	4
22	KF0510	Button Hd.Bolt (M5 × 0.8-10L)	1	49	UD0901	Latch Stud Bushing	1	76	YG0501	Spring Washer (∅5)	6
23	KK0404	Hex.Soc.Set Screw (M4 × 0.7-	1	50	UD1001	Pusher Latch Stud	1	77	YL0305	Lock Nut (M3 × 0.5)	1
24	KM0310	Hex.Soc.Hd.Bolt (M3 × 0.5-10L)	1	51	UD1101	Spring	1	78	YL0407	Lock Nut (M4 × 0.7)	1
25	KM0408	Hex.Soc.Hd.Bolt (M4 × 0.7-8L)	2	52	UD1202	Pusher Spring	1	79	YL0508	Lock Nut (M5 × 0.8)	1
26	KM0412	Hex.Soc.Hd.Bolt (M4 × 0.7-12L)	5	53	UD1301	Push Spring Anchor	1	80	YW0301	Flat Washer (∅3)	2
27	KM0510	Hex.Soc.Hd.Bolt (M5 × 0.8-10L)	2	54	UD1402	Roller Set	1				